

< PIN ASSIGNMENTS >

PIN NO.	SIGNAL NAME	PIN NO.	SIGNAL NAME
A1	GND	B12	GND
A2	TX1+	B11	RX1+
A3	TX1-	B10	RX1-
A4	Vbus	B9	Vbus
A5	CC1	B8	SBU2
A6	D+	B7	D-
A7	D-	B6	D+
A7	SBU1	B5	CC2
A9	Vbus	B4	Vbus
A10	RX2-	B3	TX2-
A11	RX2+	B2	TX2+
A12	GND	B1	GND

REV.	DESCRIPTION	DATE
DR. Shun	CHK. Ren	APP. Peter
New Version		2023,03,15



TOLERANCE (UNLESS SPECIFIED)

X.X	= ±0.25
X.XX	= ±0.15
X.XXX	= ±0.05
ANG.	= ± 2'



TITLE: USB Type C Female Connector Side Entry Waterproof Type

DWG NO. USB313WF-02-P

SHEET 1/2
REV. 1

< TECHNICAL DATA >

1.MATERIL

- Ⓞ HOUSING: LCP,UL94V-0, COLOR:BLACK
- Ⓞ TERMINAL: COPPER ALLOY (T=0.12MM)
- Ⓞ MID PLATE: STAINLESS (T=0.15MM)
- Ⓞ GND PLATE: STAINLESS (T=0.1MM)
- Ⓞ SHELL: STAINLESS (T=0.3MM)
- Ⓞ RUBBER: SI, COLOR:BLACK

2.PLATING

- Ⓞ TERMINAL: Au ON CONTACT AREA (SEE ORDER INFORMATION)
Sn 60μ" MIN ON SOLDER AREA
Ni 50μ" MIN UNDERPLATED OVERALL
- Ⓞ SHELL: Ni 50μ" MIN

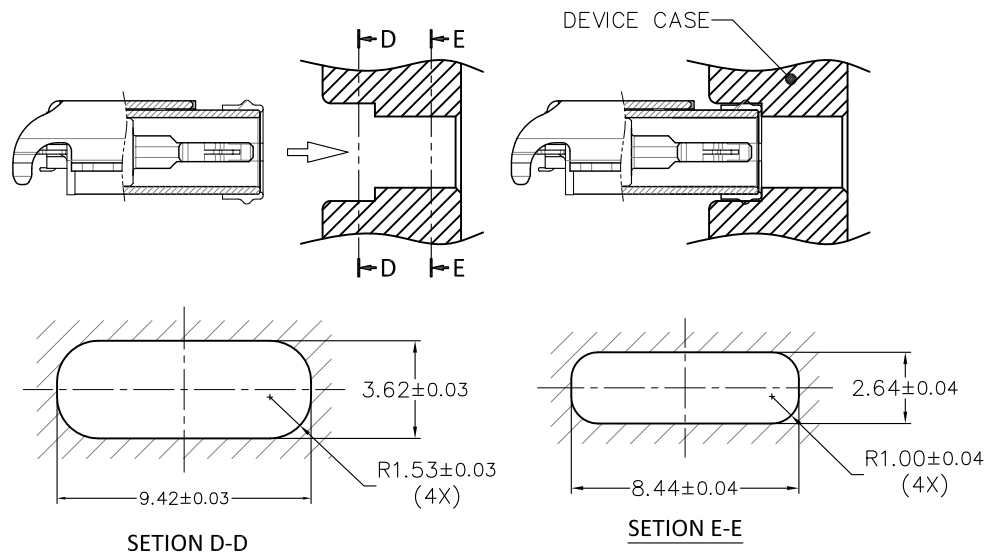
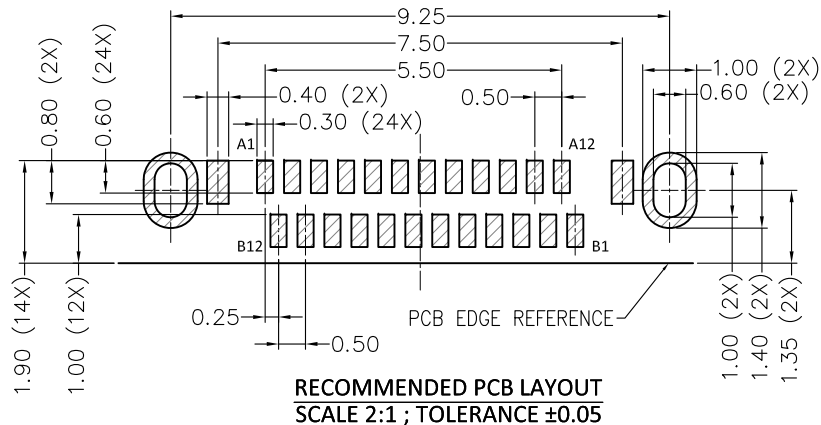
3.ELECTRICAL REQUIREMENTS

- Ⓞ CURRENT RATING: 5A
- Ⓞ CURRENT VOLTAGE: 20V
- Ⓞ CONTACT RESISTANCE: 40mΩ MAX (INITIAL)
50mΩ AFTER TEST.
- Ⓞ INSULATION RESISTANCE: 100M OHM MIN
- Ⓞ WITHSTANDING VOLTAGE: 100VAC

4.MECHANICAL REQUIREMENTS

- Ⓞ MATING FORCE: 5N~20N
- Ⓞ UNMATING FORCE: 8N~20N (INITIAL)
6N~20N (AFTER STRESS)
- Ⓞ DURABILITY: 10,000 CYCLES
- Ⓞ OPERATING TEMPERATURE: -30~+85°

5.THE WATERPROOF GRADE IS IPX8 (1.5M DEPTH OF WATER).



< ORDERING INFORMATION >

USB313WF 02 024 600 3

Series No. _____ Packing 3: Tape & Reel
 USB Type C Female Conn. Contact Plating
 Side Entry Waterproof Type 600: Selective G/F(1μ" Min.)
 Contact Position _____
 24 Pin

△	New Version	2023,03,15
REV.	DESCRIPTION	DATE
DR. Shun	CHK. Ren	APP. Peter



TOLERANCE (UNLESS SPECIFIED)
 X.X = ±0.25
 X.XX = ±0.15
 X.XXX = ±0.05
 ANG. = ± 2'



UNICORN
 ELECTRONICS
 COMPONENTS

TITLE: USB Type C Female Connector
 Side Entry Waterproof Type

DWG NO. USB313WF-02-P

SHEET 2/2
 REV. 1