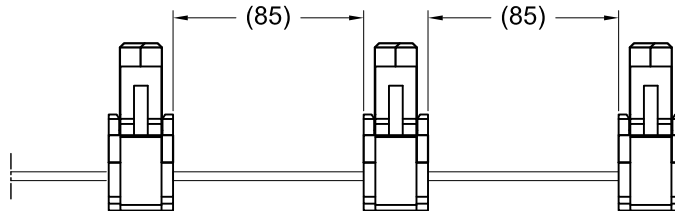
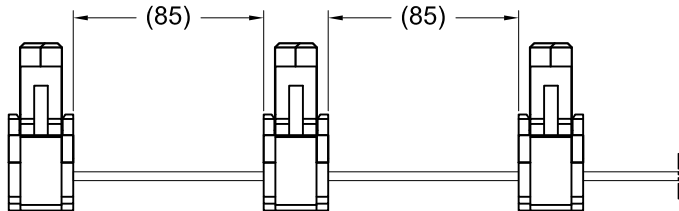
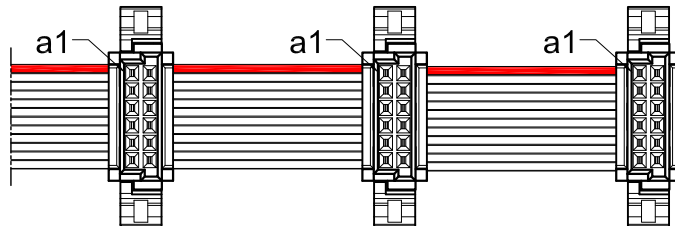
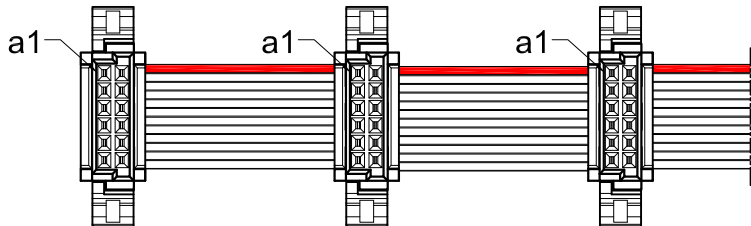


(3,500 +20/-0 mm)

Conn. #1

Conn. #40



Conn. #1

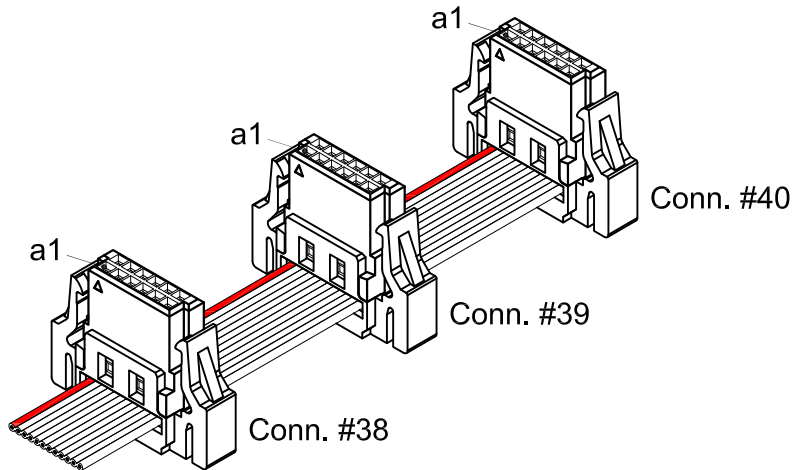
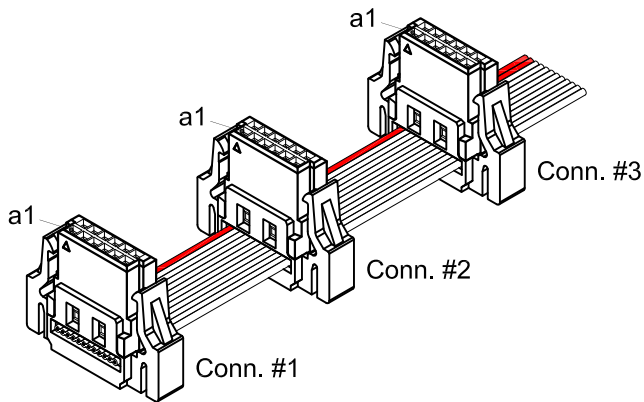
Conn. #2

Conn. #3

Conn. #38

Conn. #39

Conn. #40



	New Version	2019,08,22
REV.	DESCRIPTION	DATE
DR. Shun	CHK. Ren	APP. Peter

UNITS: MM

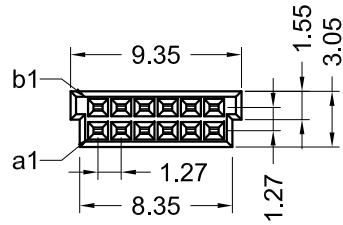
TOLERANCE  
(UNLESS SPECIFIED)  
0.0 ±0.35  
0.00 ±0.20  
0.000 ±0.10  
ANG. ±2°



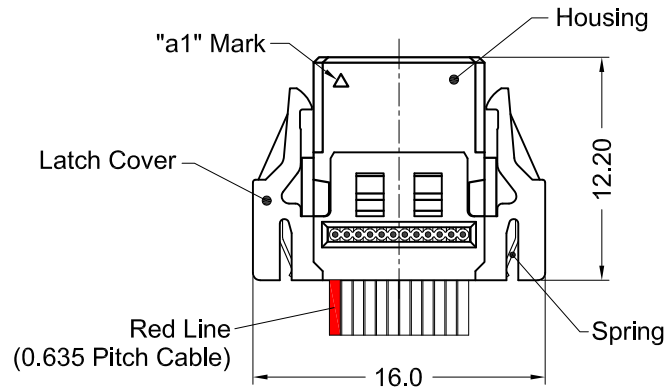
TITLE:  
1.27 Pitch IDC Female Cable Assembly  
(40 Connectors Available)

DWG NO.  
P-CABSWC01120403500  
FILE PATH  
P-CABSWC01120403500\_1

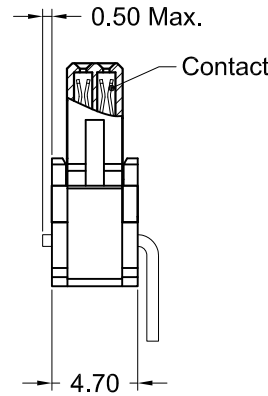
SHEET  
1 / 2  
REV.  
1



- Interface Dim. -



Connector Outline



**Specification**

**< Connector >**

Housing Material	LCP, UL94V-0.
Latch Cover Material	PA66, UL94V-0.
Contact Material	Copper Alloy
Spring Material	Stainless
Contact Plating	Au over Ni

**< Cable >**

Size:	30 AWG
Outer Diameter	0.66±0.1 mm
Pitch	0.635 mm
Material	PVC
Max Operating Temp.	-20°C ~ +105°C (PVC)

**< Mechanical >**

Mating Force	≤0.8N (Per-Pin)
Separating Force	≥0.1N (Per-Pin)
Mating Cycle	500

**< QC Inspection Content for Cable Assembled Product >**

Open/Short	
Voltage	12V
Conduction Resistance	2Ω
(Excluding intervenient wires)	
Insulation Resistance	20 MΩ min
HIPOT Test	DC 300V

**< ORDERING INFORMATION >**

**CAB SWC01 120403500 1**

**Connector Series**  
 IDC Female Connector  
 For 0.635 Pitch Flat Cable

**Feature**  
 Connector 12P, 40 pcs available  
 Cable Length 3,500 mm

**Cable Material**  
 1: PVC

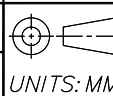
**A 600 0**

**Package**  
 0: Bag

**Plating**  
 600: Selective Gold Flash (1μ" Min.) Plated.

**Connection Face**  
 A Type (See Drawing)

	New Version	2019,08,22
REV.	DESCRIPTION	DATE
DR. Shun	CHK. Ren	APP. Peter



**TOLERANCE (UNLESS SPECIFIED)**

0.0	±0.35
0.00	±0.20
0.000	±0.10
ANG.	±2°



**TITLE:**  
 1.27 Pitch IDC Female Cable Assembly  
 (40 Connectors Available)

<b>DWG NO.</b>	P-CABSWC01120403500
<b>FILE PATH</b>	P-CABSWC01120403500_1

<b>SHEET</b>	2 / 2
<b>REV.</b>	1