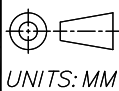


REV.	DESCRIPTION	DATE
△	New Version	2019,08,07
DR. Shun	CHK. Ren	APP. Peter



TOLERANCE (UNLESS SPECIFIED)

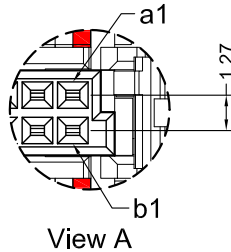
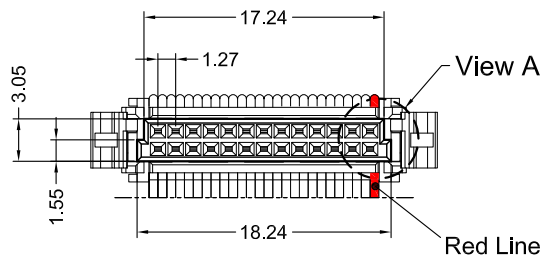
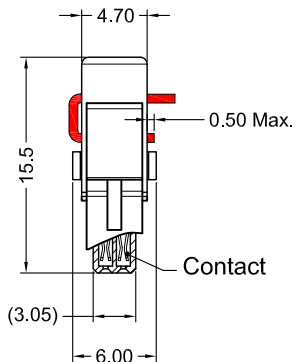
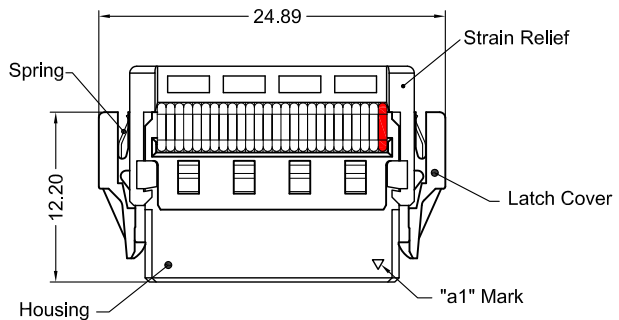
0.0	±0.35
0.00	±0.20
0.000	±0.10
ANG.	±2°



TITLE:
1.27 Pitch IDC Female Cable Assembly
With SR & Heat Shrinkable Tubing

DWG NO.
CABSWC02-SR-HST-26_C
FILE PATH
SWC01\CABSWC02-SR-HST-26_CA

SHEET
1 / 2
REV.
A



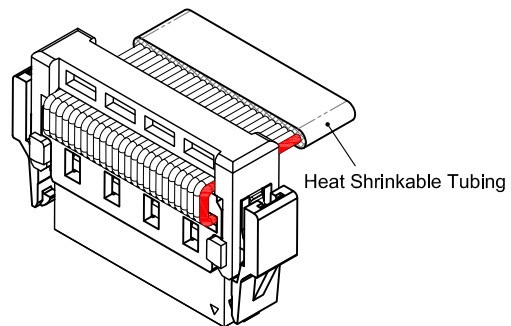
Specification

< Connector >
 Housing Material LCP, UL94V-0.
 Latch Cover Material PA66, UL94V-0.
 Strain Relief Material PA66, UL94V-0.
 Contact Material Copper Alloy
 Spring Material Stainless
 Contact Plating Au over Ni

< Cable >
 Size: 30 AWG
 Outer Diameter 0.66±0.1 mm
 Pitch 0.635 mm
 Material PVC
 Operating Temp. -20°C ~ +105°C (PVC)

< Heat Shrinkable Tubing >
 Dielectric Withstand 600 V
 Operating Temp. -55°C ~ +125°C

< Mechanical >
 Mating Force ≤0.8N (Per-Pin)
 Separating Force ≥0.1N (Per-Pin)
 Mating Cycle 500



< ORDERING INFORMATION >

CAB SWC02 SR-HST 26 0540 1 600 0

Connector Series ————
 IDC Female Connector
 For 0.635 pitch flat cable

Enhanced Processing ————
 Strain relief application
 Heat shrinkable tubing application

Contact Pos. ————
 26P

Package
 0: Bag

Plating
 600: Selective Gold Flash
 (1μ" Min.) Plated.

Cable Material
 1: PVC

Cable Length
 0540: 540mm

DR.	Shun	CHK.	Ren	APP.	Peter
REV.	DESCRIPTION		DATE		
△	New Version		2019,08,07		



TOLERANCE
 (UNLESS SPECIFIED)
 0.0 ±0.35
 0.00 ±0.20
 0.000 ±0.10
 ANG. ±2°



TITLE:
 1.27 Pitch IDC Female Cable Assembly
 With SR & Heat Shrinkable Tubing

DWG NO.
 CABSWC02-SR-HST-26_C

FILE PATH
 SWC01\CABSWC02-SR-HST-26_CA

SHEET
 2 / 2

REV.
 A