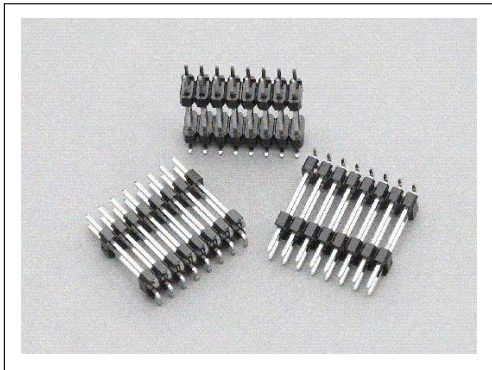




E61

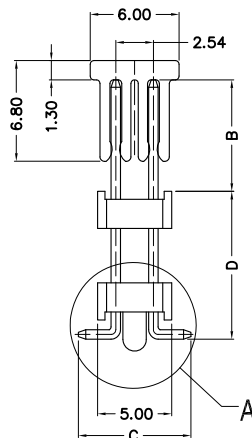
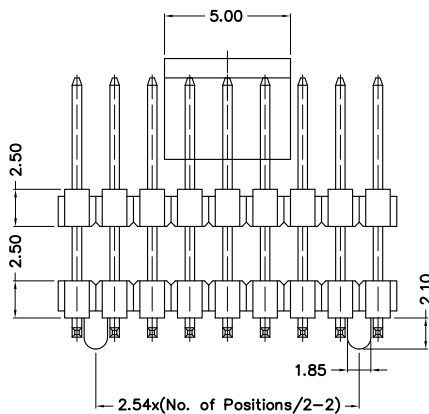
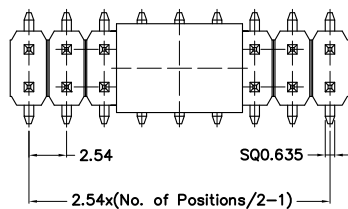
2.54mm Pitch Pin Header Dual Row Dual Body Vertical SMT TYPE



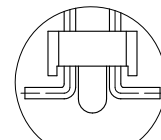
Specification:

Insulator Material:	High Temperature Thermoplastic, UL94V-0.
Contact Material:	Copper Alloy, 0.635x0.635mm.
Contact Plating:	Au or Sn over Nickel.
Current Rating:	3 AMP.
Insulator Resistance:	5000 Megohms Min.
Dielectric Withstanding:	500V AC for 1 Minute.
Operating Temperature:	-40°C ~ +105°C.
Max. Processing Temp.:	230°C for 30~60 seconds. 260°C for 10 seconds.

RoHS Compliant



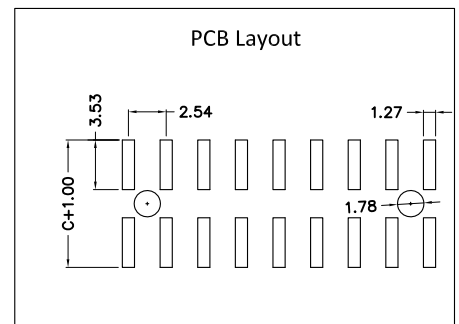
Contact Form



View A

Note: When the Contact code is not standard and quantity ≤ 30 Kpins

PCB Layout



Ordering Information: E61 - XXX - XX - XXX - XX - X - XX

1 --> Series Number:	E61		
2 --> Contact Positions:	4-60PIN: 004-060,		
3 --> Dimension option:	10: B=3.50, C=7.50, D=7.50,	11: B=4.80, C=7.50, D=7.00	12: B=6.50, C=7.50, D=9.80,
	As request: B/C/D=XX/XX/XX,	For Eg: B=7.00, C=7.80, D=6.50,	Code=7.00/7.80/6.50,
4--> Plating option:	100: Full Gold Flash Plated,	500: Tin Plated,	600: Selective Gold Flash Plated
	610: 10U" selective Gold plated,	615: 15U" selective Gold plated	
	620: 20U" selective Gold plated,	630: 30U" selective Gold plated	
5 --> CAP option:	00: Without CAP,	01: With CAP,	
6 --> Packing option:	2: Tube,	3: T&R,	
7 --> Location Peg option:	00: Without Peg,	01: With Peg,	