

**CUSTOMER DRAWING**

REV.	DESCRIPTION	DATE	DRAWN	CHECK	APPROVE
D	ECN94036	06/27/05*	Carrie	Ren	Peter
E	ECN97013	02/25/08*	Denice	Ren	Peter

**ORDERING INFORMATION**

**LM003 010 TX 2 6**  
 ① ② ③ ④ ⑤

**① PRODUCT SERIES**

LM003 WITHOUT CAPE  
 LM003C WITH CAPE

1.0 WIRE TO BOARD CONNECTOR  
 TOP ENTRY SMT TYPE

**② NUMBER OF CONTACTS**

SEE DIM. TABLE

**③ CONTACT PLATING**

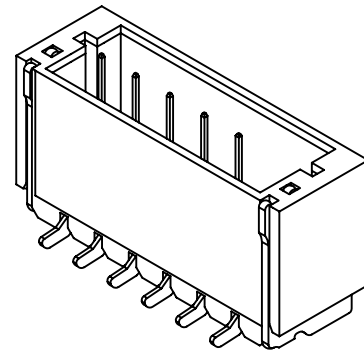
T0: TIN / LEAD PLATED  
 TF: LEAD FREE BRIGHT PLATED  
 (UNDER 90 PPM)  
 TF1: LEAD FREE MATTE PLATED  
 (UNDER 90 PPM)

**④ PACKING METHOD**

1: TRAY  
 2: TUBE  
 3: TAPE/REEL

**⑤ HOUSING MATERIAL**

BLANK: PA9T  
 6: PA6T

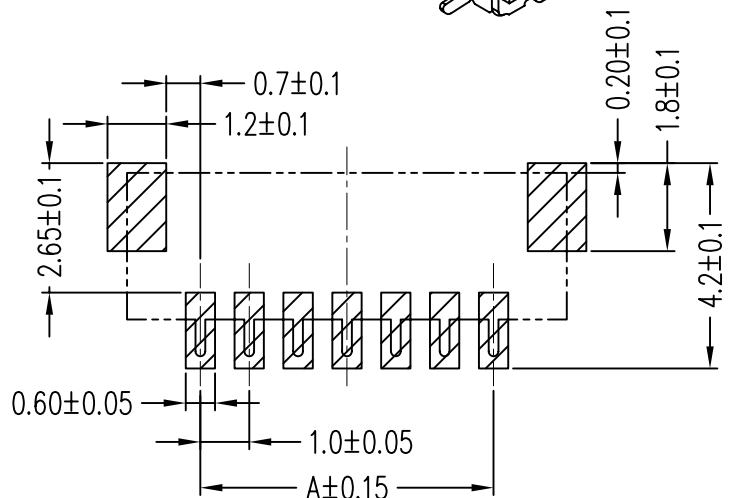


**PERFORMANCE CHARACTERISTICS**

Operating Voltage:	50V AC/DC Max.
Current Rating:	1 Amp Max.
Contact Resistance:	20 mΩ Max.
Insulation Resistance:	100 MΩ Min.
Dielectric Withstanding Voltage:	500 VAC RMS.
Operating Temperature:	-25°C TO +85°C

**MATERIAL**

Insulator: SEE ORDERING INFORMATION  
 UL94V-0 Rated  
 Insulator Color: Natural(Ivory)  
 Terminal: Brass  
 Plating: SEE ORDERING INFORMATION



PCB LAYOUT

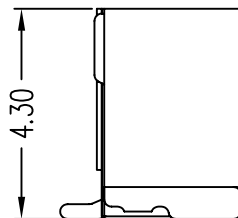
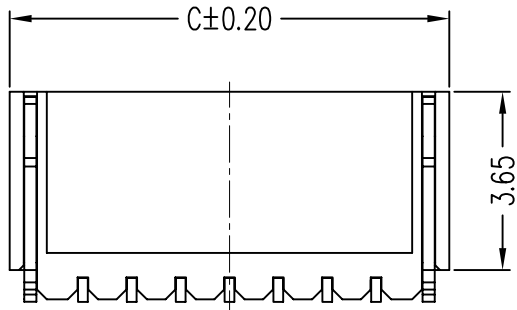
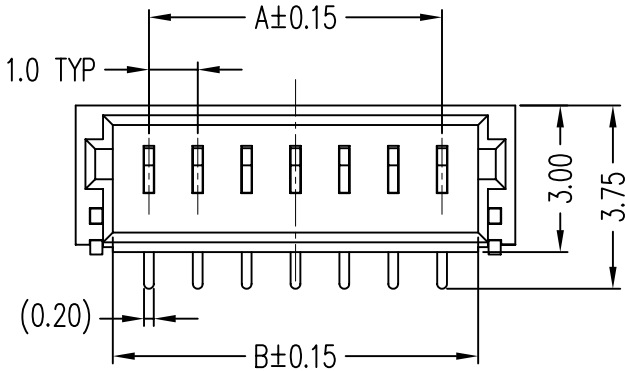


TABLE OF DIMENSION

NO. of Pins	Dimensions		
	A	B	C
2P	1.00	2.48	4.00
3P	2.00	3.48	5.00
4P	3.00	4.48	6.00
5P	4.00	5.48	7.00
6P	5.00	6.48	8.00
7P	6.00	7.48	9.00
8P	7.00	8.48	10.00
9P	8.00	9.48	11.00
10P	9.00	10.48	12.00
11P	10.00	11.48	13.00
12P	11.00	12.48	14.00
13P	12.00	13.48	15.00
14P	13.00	14.48	16.00
15P	14.00	15.48	17.00
16P	15.00	16.48	18.00
17P	16.00	17.48	19.00
18P	17.00	18.48	20.00
19P	18.00	19.48	21.00
20P	19.00	20.48	22.00



**TOLERANCE**  
 (UNLESS SPECIFIED)  
 0.0 ±0.35  
 0.00 ±0.20  
 0.000 ±0.XX



**UNICORN**  
 ELECTRONICS  
 COMPONENTS

**TITLE:**  
 1.0 WIRE TO BOARD CONNECTOR  
 TOP ENTRY SMT TYPE (WAFER)

DWG NO. LM003_C	SERIES LM	SHEET 1/1
FILE PATH LM003\LM003_CE		REV. E

UNITS: MM