

CUSTOMER DRAWING

REV.	DESCRIPTION	DATE	DRAWN	CHECK	APPROVE
J	ECN98021	06/18/09'	Denice	Ren	Peter
K	ECN98023	06/24/09'	Denice	Ren	Peter

ORDERING INFORMATION

LM103 010 H TX 2 X
 ① ② ③ ④ ⑤ ⑥

① PRODUCT SERIES

1.25mm WIRE TO BOARD CONN.
 RIGHT ANGLE SMT TYPE

② NUMBER OF CONTACTS

2 - 20

③ INSULATOR TYPE

BLANK: NON-HALOGEN FREE
 H: HALOGEN FREE

④ CONTACT PLATING

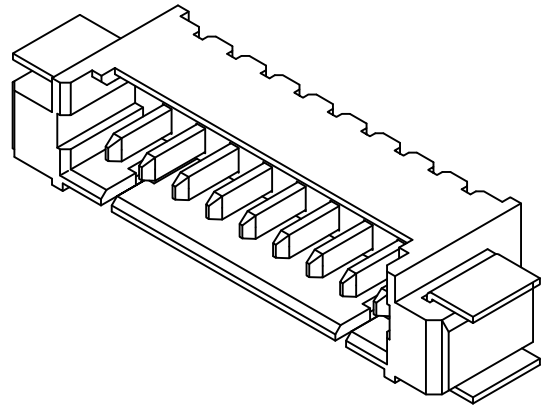
TF: LEAD FREE BRIGHT PLATED
 (UNDER 90 PPM)
 TF1: LEAD FREE MATTE PLATED
 (UNDER 90 PPM)
 G21: Au (3u") PLATED

⑤ PACKING METHOD

2: TUBE
 3: TAPE/REEL

⑥ BOM CODE

IDENTIFY BY UNICORN

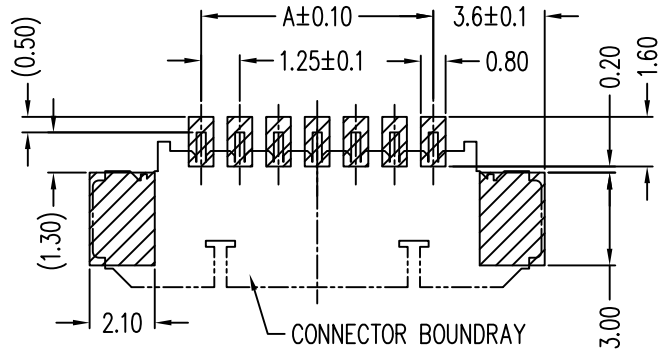


PERFORMANCE CHARACTERISTICS

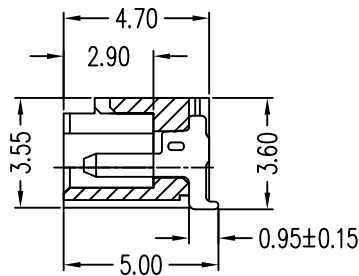
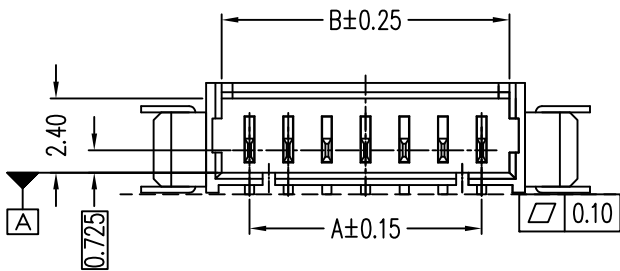
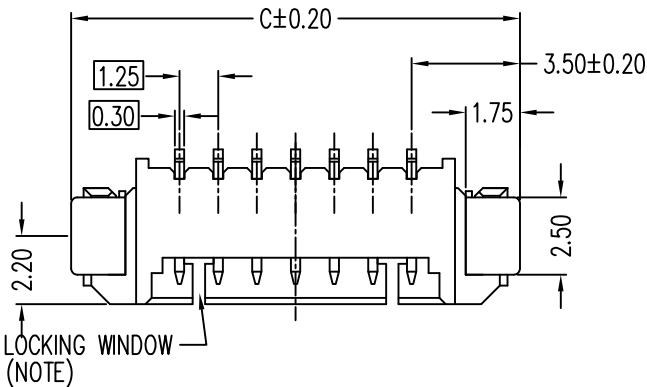
Operating Voltage: 125 VAC Max.
 Current Rating: 1 Amp Max.
 Contact Resistance: 20 mΩ Max.
 Insulation Resistance: 100 MΩ Min.
 Dielectric Withstanding Voltage: 250 VAC RMS.
 Operating Temperature: -40°C TO +85°C

MATERIAL

Insulator: High Temperature Thermoplastic;
 UL94V-0 Rated
 Terminal: Copper Alloy (t=0.3mm)
 ME: Copper Alloy (t=0.2mm)
 Plating: SEE ORDERING INFORMATION



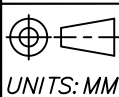
RECOMMEND PCB LAYOUT



NOTE:
 LOCKING WINDOW
 ONE PLACE FOR 2P AND 3P.
 TWO PLACE FOR THE OTHERS.

DIM. TABLE

POS.	A	B	C
20	23.75	25.55	30.75
19	22.50	24.30	29.50
18	21.25	23.05	28.25
17	20.00	21.80	27.00
16	18.75	20.55	25.75
15	17.50	19.30	24.50
14	16.25	18.05	23.25
13	15.00	16.80	22.00
12	13.75	15.55	20.75
11	12.50	14.30	19.50
10	11.25	13.05	18.25
9	10.00	11.80	17.00
8	8.75	10.55	15.75
7	7.50	9.30	14.50
6	6.25	8.05	13.25
5	5.00	6.80	12.00
4	3.75	5.55	10.75
3	2.50	4.30	9.50
2	1.25	3.05	8.25



TOLERANCE
 (UNLESS SPECIFIED)
 0.0 ±0.35
 0.00 ±0.20
 0.000 ±0.XX



UNICORN
 ELECTRONICS
 COMPONENTS

TITLE:
**1.25 WIRE TO BOARD CONN.
 RIGHT ANGLE SMT TYPE**

DWG NO.
 LM103_C
 SERIES
 LM
 FILE PATH
 LM103\LM103_CK

SHEET
 1/1
 REV.
 K