

**CUSTOMER DRAWING**

REV.	DESCRIPTION	DATE	DRAWN	CHECK	APPROVE
G	ECN97001	01/10/08'	Denice	Ren	Peter
H	ECN97053	12/24/08'	Denice	Ren	Peter

**ORDERING INFORMATION**

**LM104 010 H TX 2 X**

① ② ③ ④ ⑤ ⑥

**① PRODUCT SERIES**

1.25mm WIRE TO BOARD CONN.  
VERTICAL SMT TYPE

**② NUMBER OF CONTACTS**

2 - 20

**③ INSULATOR TYPE**

BLANK: NON-HALOGEN FREE  
H: HALOGEN FREE

**④ CONTACT PLATING**

TF: LEAD FREE BRIGHT PLATED  
(UNDER 90 PPM)  
TF1: LEAD FREE MATTE PLATED  
(UNDER 90 PPM)

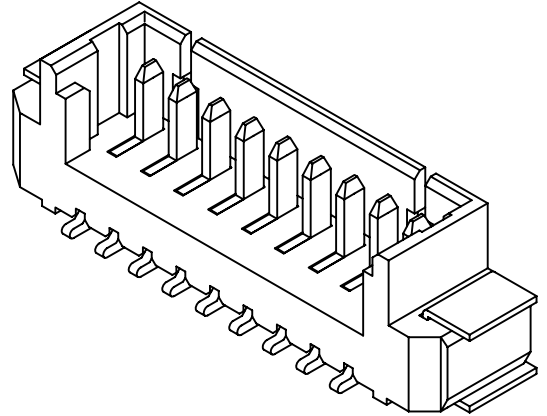
**⑤ PACKING METHOD**

2: TUBE  
3: TAPE/REEL

**⑥ BOM CODE**

IDENTIFY BY UNICORN

**INFORMATION ONLY**

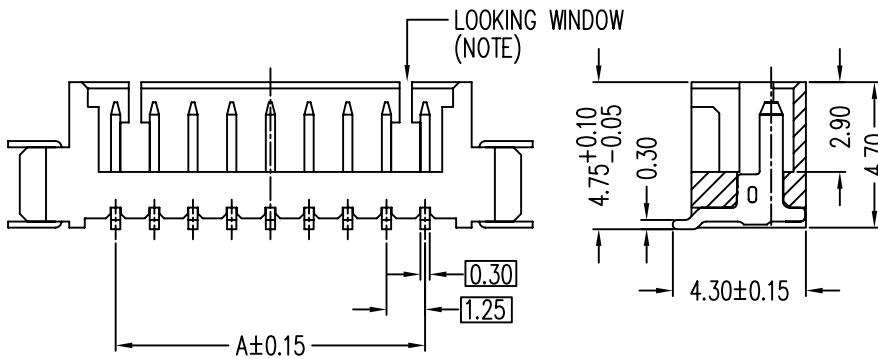
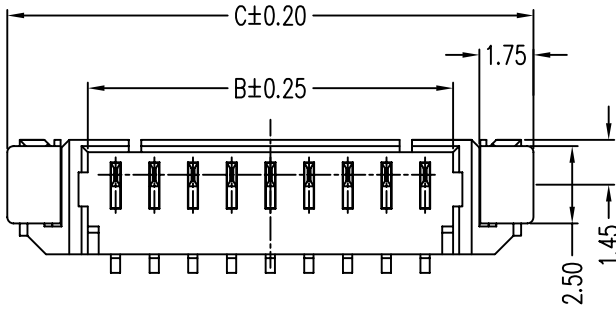
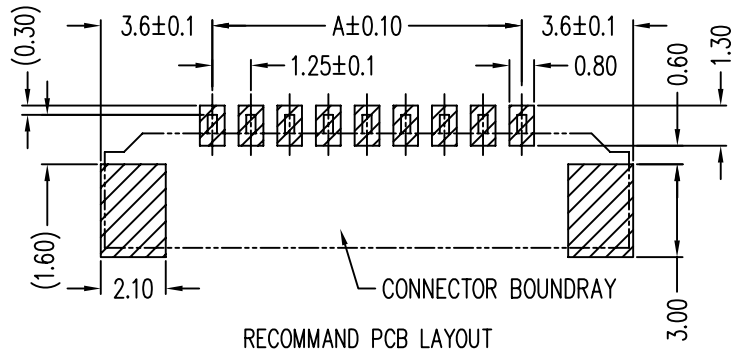


**PERFORMANCE CHARACTERISTICS**

Operating Voltage: 150 VAC Max.  
Current Rating: 1 Amp Max.  
Contact Resistance: 20 mΩ Max.  
Insulation Resistance: 100 MΩ Min.  
Dielectric Withstanding Voltage: 250 VAC RMS.  
Operating Temperature: -40°C TO +85°C

**MATERIAL**

Insulator: High Temperature Thermoplastic,  
UL94V-0 Rated  
Terminal: Copper Alloy (t=0.3mm)  
ME: Copper Alloy (t=0.2mm)  
Plating: SEE ORDERING INFORMATION



NOTE:  
LOOKING WINDOW  
ONE PLACE FOR 2P AND 3P.  
TWO PLACE FOR THE OTHERS.

**DIM. TABLE**

POS.	A	B	C
20	23.75	25.55	30.75
19	22.50	24.30	29.50
18	21.25	23.05	28.25
17	20.00	21.80	27.00
16	18.75	20.55	25.75
15	17.50	19.30	24.50
14	16.25	18.05	23.25
13	15.00	16.80	22.00
12	13.75	15.55	20.75
11	12.50	14.30	19.50
10	11.25	13.05	18.25
9	10.00	11.80	17.00
8	8.75	10.55	15.75
7	7.50	9.30	14.50
6	6.25	8.05	13.25
5	5.00	6.80	12.00
4	3.75	5.55	10.75
3	2.50	4.30	9.50
2	1.25	3.05	8.25



**TOLERANCE (UNLESS SPECIFIED)**

0.0	±0.35
0.00	±0.20
0.000	±0.XX



**UNICORN**  
ELECTRONICS  
COMPONENTS

TITLE:  
**1.25 WIRE TO BOARD CONN.  
VERTICAL SMT TYPE**

DWG NO.  
LM104\_C  
SERIES  
LM  
FILE PATH  
LM104\LM104\_CH

SHEET  
1/1  
REV.  
H