

**CUSTOMER DRAWING**

REV.	DESCRIPTION	DATE	DRAWN	CHECK	APPROVE
C	ECN97033	09/26/08'	Denice	Ren	Peter
D	ECN97045	11/21/08'	Denice	Ren	Peter

**ORDERING INFORMATION**

**LM312L 002 H TX 2 X**  
 ① ② ③ ④ ⑤ ⑥

- |  |   |
|--|---|
| <p>① <b>PRODUCT SERIES</b><br/>                 2.0 SHROUDED HEADER<br/>                 R/A SMT TYPE</p> <p>② <b>NUMBER OF CONTACTS</b><br/>                 2~20P</p> <p>③ <b>INSULATOR TYPE</b><br/>                 BLANK: NON-HALOGEN FREE<br/>                 H: HALOGEN FREE</p> | <p>④ <b>CONTACT PLATING</b><br/>                 TF: LEAD FREE BRIGHT PLATED<br/>                 (UNDER 90 PPM)<br/>                 TF1: LEAD FREE MATTE PLATED<br/>                 (UNDER 90 PPM)</p> <p>⑤ <b>PACKING METHOD</b><br/>                 2: TUBE<br/>                 3: TAPE/REEL</p> <p>⑥ <b>BOM CODE</b><br/>                 IDENTIFY BY UNICORN</p> |
|--|---|

**PERFORMANCE CHARACTERISTICS**

Operating Voltage:	100V AC/DC Max.
Current Rating:	2 Amp Max.
Contact Resistance:	20 mΩ Max.
Insulation Resistance:	1000 MΩ Min.
Dielectric Withstanding Voltage:	800 VAC RMS.
Operating Temperature:	-25°C TO +85°C

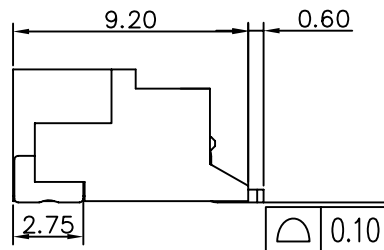
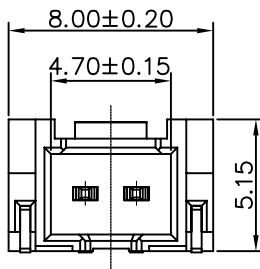
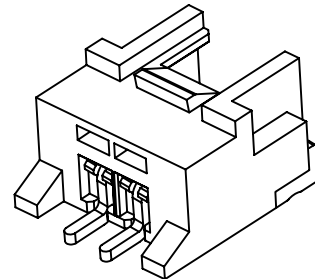
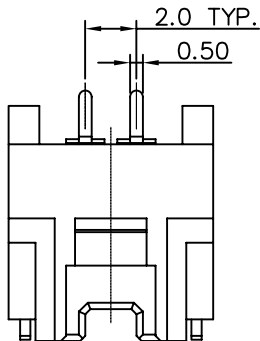
**MATERIAL**

Insulator: High Temperature Thermoplastic,  
 UL94V-0 Rated

Terminal: Copper Alloy

Plating: SEE ORDERING INFORMATION

②P



TOLERANCE (UNLESS SPECIFIED)	
0.0	±0.35
0.00	±0.20
0.000	±0.XX



**UNICORN**  
 ELECTRONICS  
 COMPONENTS

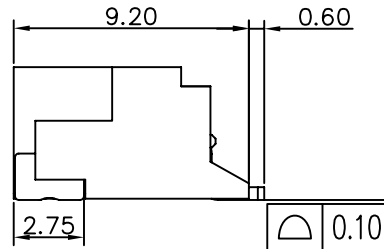
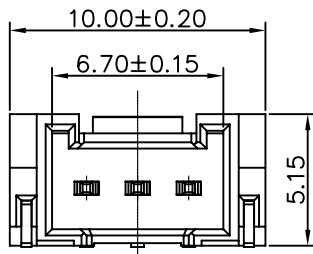
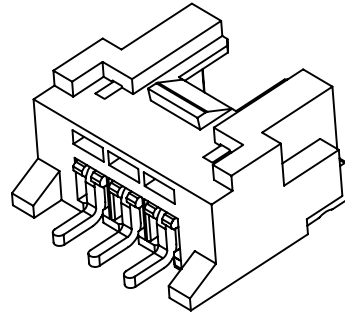
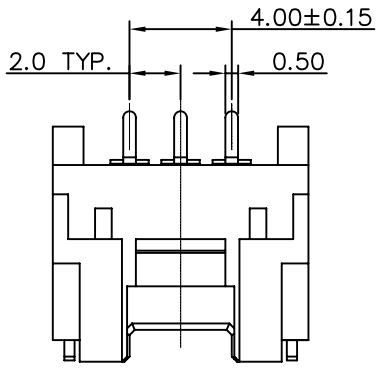
TITLE:  
**2.0 SHROUDED HEADER  
 R/A SMT TYPE (WAFER)**

DWG NO. LM312L_C	SERIES LM	SHEET 1/3
FILE PATH LM312L\LM312L_CD		REV. D

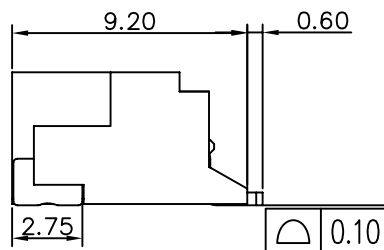
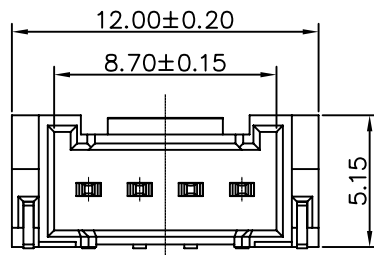
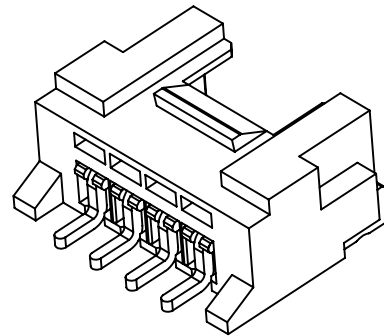
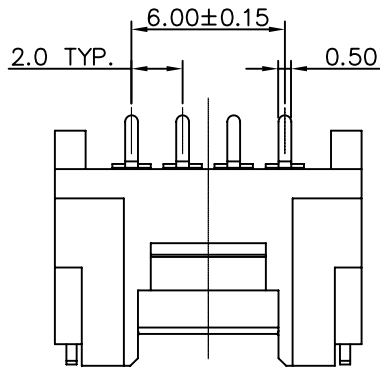
CUSTOMER DRAWING

REV.	DESCRIPTION	DATE	DRAWN	CHECK	APPROVE
C	ECN97033	09/26/08'	Denice	Ren	Peter
D	ECN97045	11/21/08'	Denice	Ren	Peter

3P



4P



TOLERANCE (UNLESS SPECIFIED)	
0.0	±0.35
0.00	±0.20
0.000	±0.XX



**UNICORN**  
ELECTRONICS  
COMPONENTS

TITLE:  
2.0 SHROUDED HEADER  
R/A SMT TYPE (WAFER)

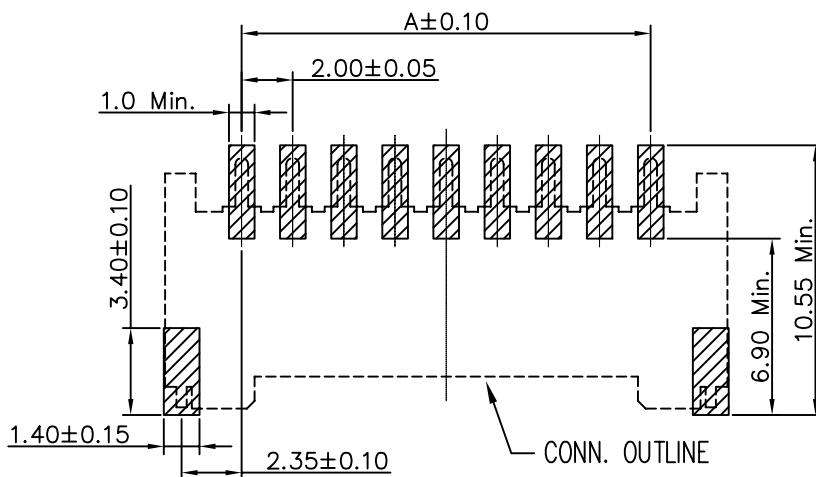
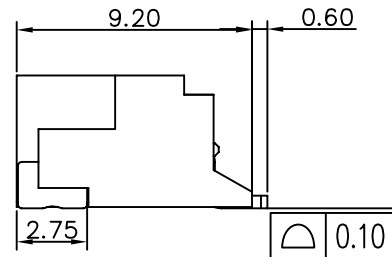
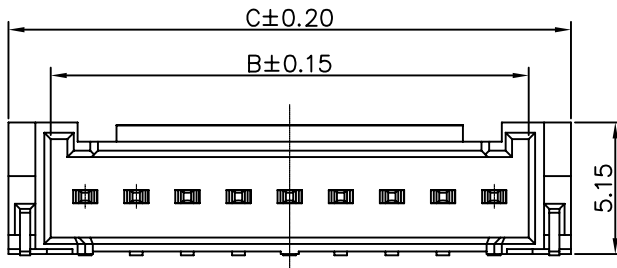
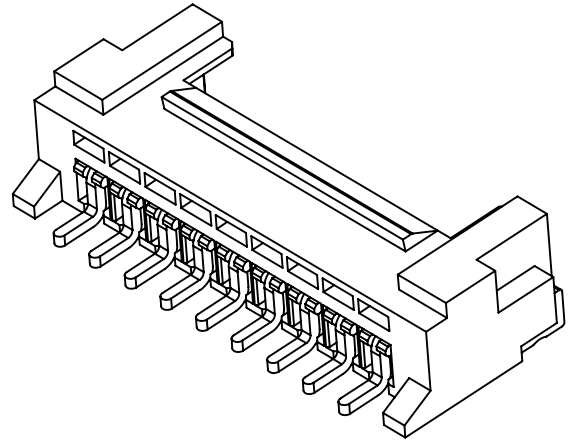
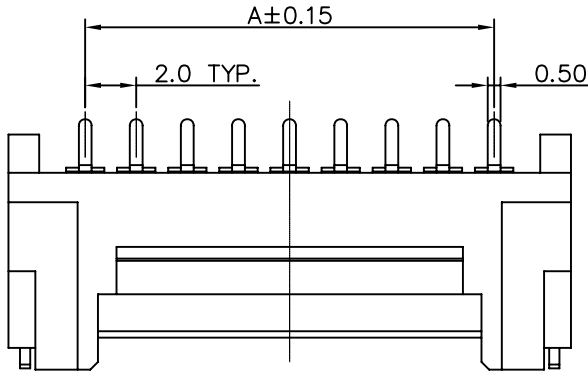
DWG NO. LM312L_C	SERIES LM
FILE PATH LM312L\LM312L_CD	

SHEET 2/3
REV. D

CUSTOMER DRAWING

REV.	DESCRIPTION	DATE	DRAWN	CHECK	APPROVE
C	ECN97033	09/26/08'	Denice	Ren	Peter
D	ECN97045	11/21/08'	Denice	Ren	Peter

5~20P



RECOMMEND PCB LAYOUT

TABLE OF DIMENSION

Pin	Dimension(mm)		
	"A"	"B"	"C"
2P	2.00	-	-
3P	4.00	-	-
4P	6.00	-	-
5P	8.00	10.70	14.00
6P	10.00	12.70	16.00
7P	12.00	14.70	18.00
8P	14.00	16.70	20.00
9P	16.00	18.70	22.00
10P	18.00	20.70	24.00
11P	20.00	22.70	26.00
12P	22.00	24.70	28.00
13P	24.00	26.70	30.00
14P	26.00	28.70	32.00
15P	28.00	30.70	34.00
16P	30.00	32.70	36.00
20P	38.00	40.70	44.00



TOLERANCE (UNLESS SPECIFIED)

0.0	$\pm 0.35$
0.00	$\pm 0.20$
0.000	$\pm 0.XX$



**UNICORN**  
ELECTRONICS  
COMPONENTS

TITLE:  
2.0 SHROUDED HEADER  
R/A SMT TYPE (WAFER)

DWG NO. LM312L\_C  
FILE PATH LM312L\LM312L\_CD

SERIES LM

SHEET 3/3  
REV. D