

CUSTOMER DRAWING

ORDERING INFORMATION

**MCB45M 010 G9 3**

① ② ③ ④

- ① **PRODUCT SERIES**  
USB 3.0 MICRO-B RECEPTACLE R/A SMT
- ② **NUMBER OF CONTACTS**  
10P
- ③ **CONTACT PLATING**  
G9: AU 15u" PLATING ON CONTACT AREA  
GOLDFLASH ON SOLDER TAIL  
NICKEL (50u") UNDERPLATED OVER ALL.
- ④ **PACKING METHOD**  
3: TAPE & REEL

PERFORMANCE CHARACTERISTICS

OPERATING VOLTAGE: 30V AC  
 CURRENT RATING: 1.8 A (PIN 1 & PIN 5)  
 0.25 A (OTHER PINS)  
 CONTACT RESISTANCE: 30 mΩ MAX.(PIN 1 & PIN 5)  
 50 mΩ MAX.(OTHERS)  
 INSULATION RESISTANCE: 100 MΩ MIN.  
 DIELECTRIC WITHSTANDING VOLTAGE: 100V AC/MINUTE  
 OPERATING TEMPERATURE: -40°C TO +85°C

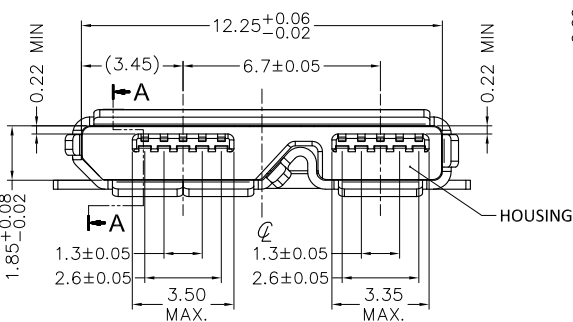
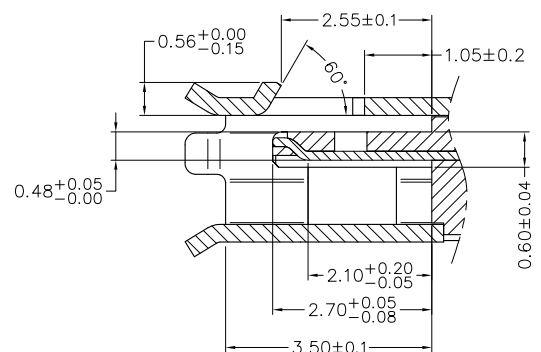
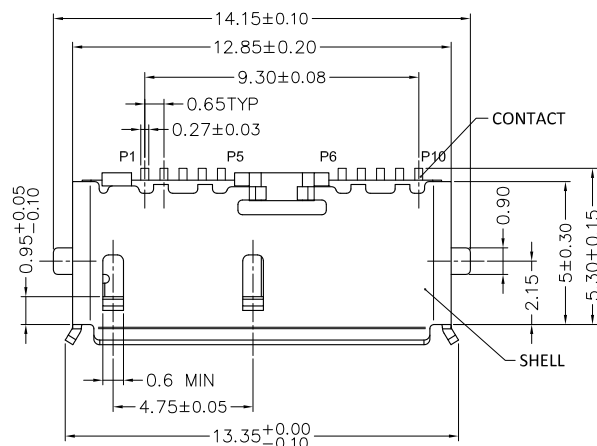
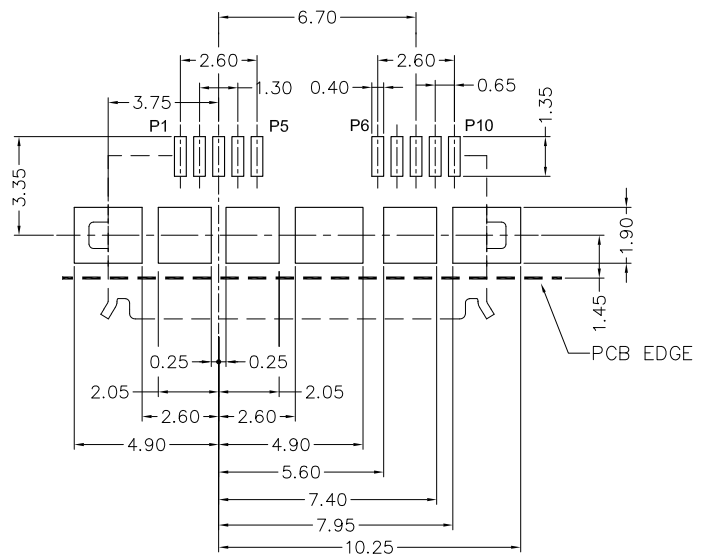
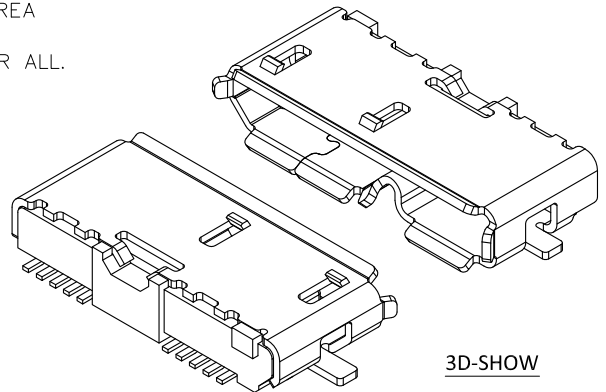
MATERIALS

HOUSING: HIGH TEMPERATURE THERMOPLASTIC, UL94V-0 RATED. (COLOR: BLACK)  
 CONTACT: BRASS  
 SHELL: SUS

PLATING

CONTACT: SEE ORDERING INFORMATION  
 SHELL: NICKEL PLATING OVER ALL

| REV. | DESCRIPTION           | DATE       | DRAWN  | CHECKED | APPROVED |
|------|-----------------------|------------|--------|---------|----------|
| A    | New Version           | 2013,06,17 | Denlce | Ren     | Peter    |
| B    | Corrected Section A-A | 2014,02,21 | Shun   | Karl    | Peter    |



| TOLERANCE (UNLESS SPECIFIED) |       |
|------------------------------|-------|
| 0.0                          | ±0.20 |
| 0.00                         | ±0.10 |
| 0.000                        | ±0.05 |



TITLE: USB 3.0 MICRO-B RECEPTACLE RIGHT ANGLE SMT TYPE

|                                  |               |                |
|----------------------------------|---------------|----------------|
| DWG NO.<br>MCB45M-G9_C           | SERIES<br>MCB | SHEET<br>1 / 1 |
| FILE PATH<br>U3\MCB\MCB45M-G9_CB |               | REV.<br>B      |