

< ORDERING INFORMATION >

SMC04 XX X XXX 3

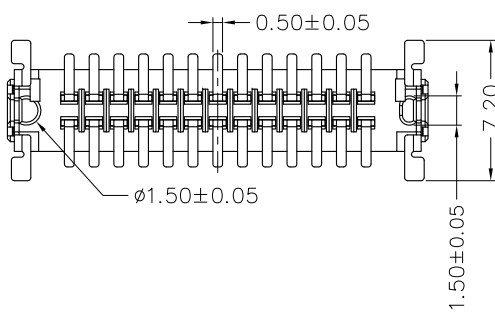
SERIES NO. 1.27 SMC Male Connector Vertical SMT Type

CONTACT POSITION SEE DIM-TABLE

STANDING HEIGHT  
A: 6.75  
B: 8.25  
C: 9.85

PACKAGE  
3: Tape & Reel

CONTACT PLATING  
600: Selective Gold Flash Plated (1μ" Min.)  
605: 5μ" selective Gold Plated  
630: 30μ" selective Gold Plated



**Specification**

Insulator Material: High Temp. Thermoplastic, UL94V-0.

Contact Material: Phosphor Bronze.

Board Lock Material: Brass.

Contact Plating: Au on Contact Area.  
Sn (100μ" Min.) on Soldertail.  
Nickle (Contact - 80μ" Min. / Soldertail - 50μ" Min.)

Board Lock Plating: Sn(100μ" Min.) over Nickel (40μ" Min.)

Current Rating: 1.2A Max.

Contact Resistance: 25 Milliohms Max.

Insulator Resistance: 1000 Megohms Min.

Dielectric Withstanding: 500V AC for 1 Minute.

Operating Temperature: -55°C ~ +125°C.

Max. Processing Temp.: 230°C for 30~60 seconds.  
260°C for 10 seconds.

DIM-TABLE

PIN NO.	DIM A	DIM B	DIM C	DIM D	DIM E	DIM F	DIM G
10	11.43	7.30	5.08	8.30	9.50	10.07	9.10
12	12.70	8.57	6.35	9.57	10.77	11.34	10.37
16	15.24	11.11	8.89	12.11	13.31	13.88	12.91
20	17.78	13.65	11.43	14.65	15.85	16.42	15.45
24	20.32	16.19	13.97	17.19	18.39	18.96	17.99
26	21.59	17.46	15.24	18.46	19.66	20.23	19.26
30	24.13	20.00	17.78	21.00	22.20	22.77	21.80
32	25.40	21.27	19.05	22.27	23.47	24.04	23.07
40	30.48	26.35	24.13	27.35	28.55	29.12	28.15
50	36.83	32.70	30.48	33.70	34.90	35.47	34.50
68	48.26	44.13	41.91	45.13	46.33	46.90	45.93
80	55.88	51.75	49.53	52.75	53.95	54.52	53.55

REV.	DESCRIPTION	DATE
DR. Shun	CHK. Ren	APP. Peter
△B	Add "Pin No" Option	2020,02,25
△A	New Version	2019,03,20



TOLERANCE (UNLESS SPECIFIED)

0.0 ±0.35

0.00 ±0.20

0.000 ±0.10

ANG. ±2°



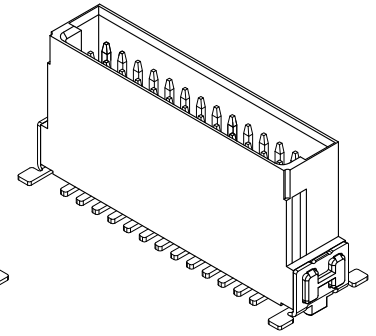
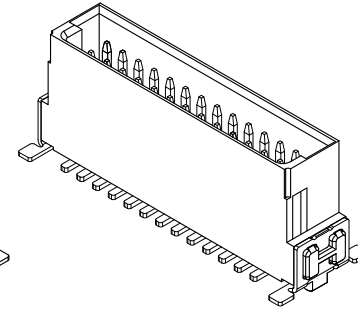
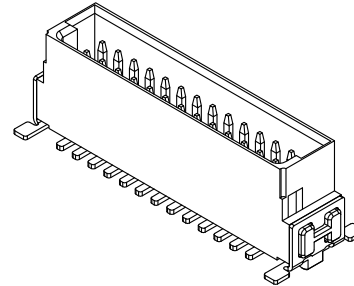
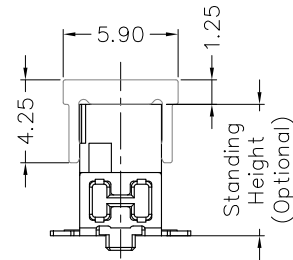
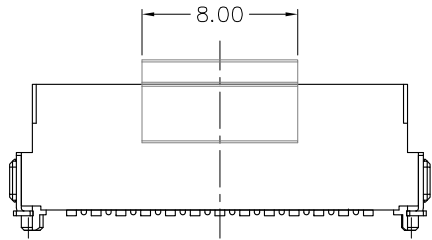
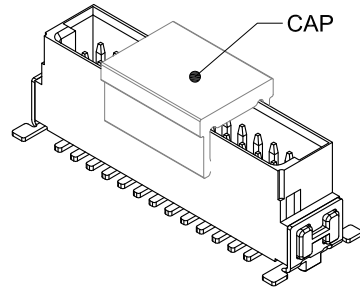
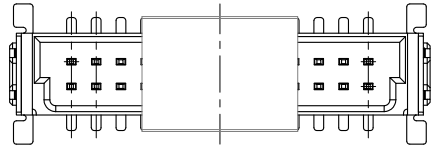
TITLE: 1.27 SMC Male Connector Vertical SMT Type

DWG NO. SMC04\_C

FILE PATH SMC\BTB\SMC04\_CB

SHEET 1 / 2

REV. B

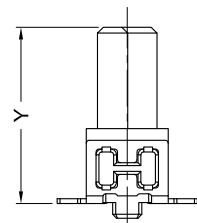
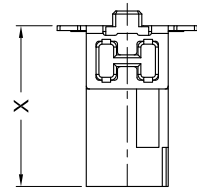


STANDING HEIGHT: A

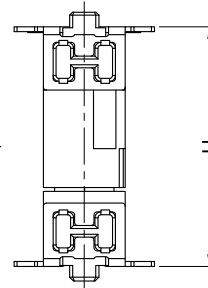
STANDING HEIGHT: B

STANDING HEIGHT: C

< SMC04 Series >



Matting →



< SMC02 Series >

Connector Height		Stacking Height
X(SMC04)	Y(SMC02)	H(Matting)
6.75	6.25	8.0
	9.05	10.8
	13.65	15.4
8.25	6.25	9.5
	9.05	12.3
	13.65	16.9
9.85	6.25	11.1
	9.05	13.9
	13.65	18.5

REV.	DESCRIPTION	DATE
B	Add "Pin No" Option	2020,02,25
A	New Version	2019,03,20
DR. Shun	CHK. Ren	APP. Peter

UNITS: MM

TOLERANCE (UNLESS SPECIFIED)  
 0.0 ±0.35  
 0.00 ±0.20  
 0.000 ±0.10  
 ANG. ±2°



TITLE: 1.27 SMC Male Connector Vertical SMT Type

DWG NO. SMC04\_C  
 FILE PATH SMC\BTB\SMC04\_CB

SHEET 2 / 2  
 REV. B