

A

B

C

D

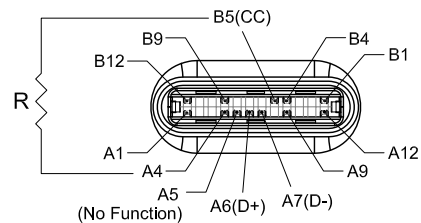
E

F

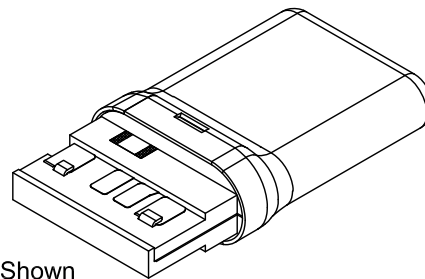
G

H

PRODUCT DRAWING



3D Shown

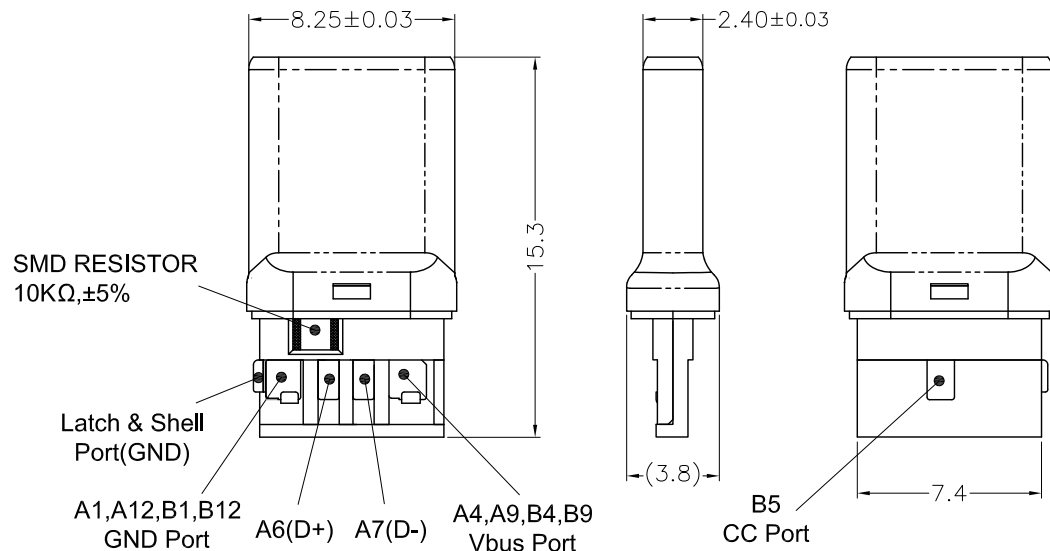


NOTE

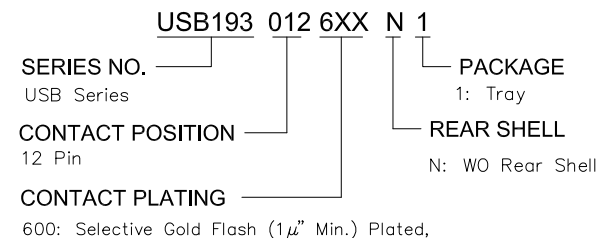
1. MATERIAL
 - 1.1 INSULATOR: HIGH TEMPERATURE PLASTIC UL 94 V-0;
 - 1.2 CONTACT: COPPER ALLOY(T=0.15mm)
 - 1.3 SHELL: STEEL(T=0.15mm)
2. TERMINAL FINISH
 - 2.1 CONTACT AREA: GOLD PLATING (SEE ORDERING INFORMATION)
 - 2.2 SOLDER AREA: TIN PLATING 100u"
 - 2.3 UNDERPLATE PLATED: NICKEL 80u"
3. SHELL FINISH
NICKEL 80u"MIN UNDERPLATED

PERFORMANCE CHARACTERISTICS

- 4.1 CONTACT RESISTANCE:
 - 40 MILLI-OHMS MAX. FOR INITIAL,
 - 10 MILLI-OHMS CHANGE TEST, MEASURE AT 20mV, 100mA.
- 4.2 CONTACT CURRENT RATING: 5A.
- 4.3 DIELECTRIC WITHSTANDING VOLTAGE: 100 V R.M.S.
- 4.4 INSULATION RESISTANCE 100 MAGE-OHMS MIN.
- 4.5 OPERATING TEMPERATURE: -30°C ~ 85°C
- 4.6 MATING FORCE: 5~20 N.
- 4.7 UNMATED FORCE: 8~20 N (INITIAL) , 6~20 N (AFTER TEST)
- 4.8 DURABILITY: 10,000 CYCLES.



< ORDERING INFORMATION >



△	New Version	2018,03,06
REV.	DESCRIPTION	DATE
DR. Shun	CHK. Karl	APP. Peter



TOLERANCE
(UNLESS SPECIFIED)

0.0	±0.25
0.00	±0.15
0.000	±0.10
ANG.	±2°



UNICORN
ELECTRONICS
COMPONENTS

TITLE:

USB TYPE-C PLUG
CHARGING APPLICATION
W/O PCB

DWG NO.
USB193-N-1
FILE PATH
USB193-N-1_P1

SHEET
1 / 1
REV.
1

A

B

C

D

E

F

G

H