

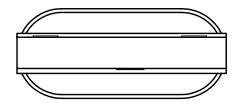
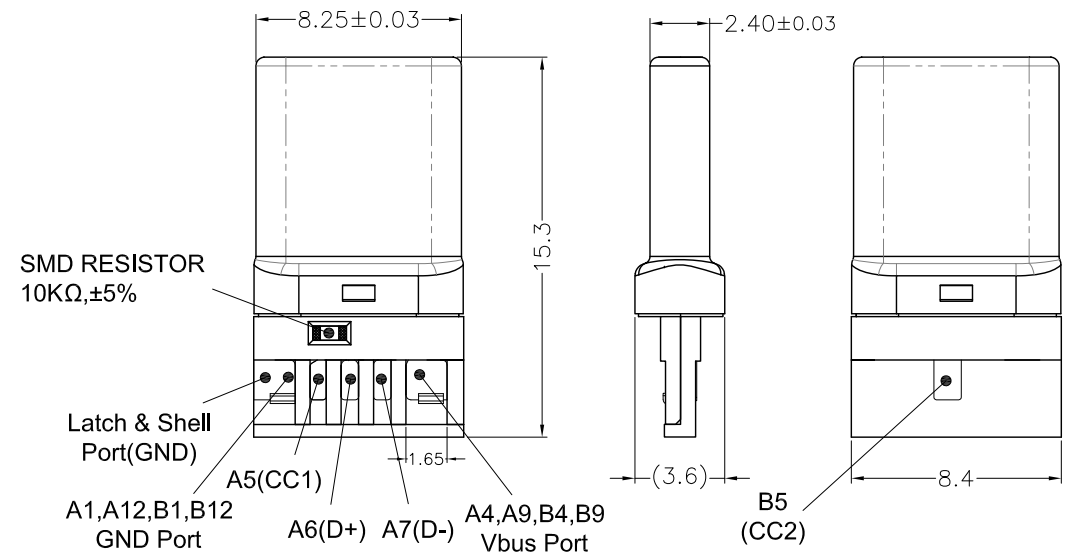
3D Shown

**NOTE**

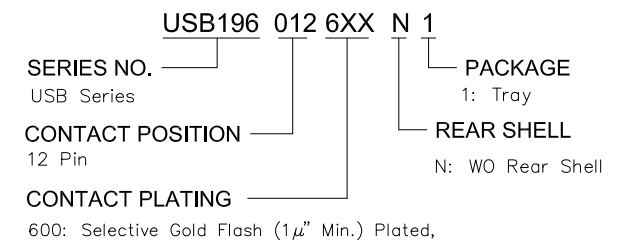
1. MATERIAL
  - 1.1 INSULATOR: HIGH TEMPERATURE PLASTIC UL 94 V-0;
  - 1.2 CONTACT: COPPER ALLOY(T=0.15mm)
  - 1.3 SHELL: STEEL(T=0.15mm)
2. TERMINAL FINISH
  - 2.1 CONTACT AREA: GOLD PLATING (SEE ORDERING INFORMATION)
  - 2.2 SOLDER AREA: TIN PLATING 100u"
  - 2.3 UNDERPLATE PLATED: NICKEL 80u"
3. SHELL FINISH
  - NICKEL 80u"MIN UNDERPLATED

**PERFORMANCE CHARACTERISTICS**

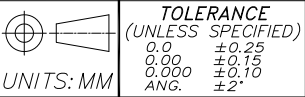
- 4.1 CONTACT RESISTANCE:
  - 40 MILLI-OHMS MAX. FOR INITIAL,
  - 10 MILLI-OHMS CHANGE TEST, MEASURE AT 20mV, 100mA.
- 4.2 CONTACT CURRENT RATING: 3A.
- 4.3 DIELECTRIC WITHSTANDING VOLTAGE: 100 V R.M.S.
- 4.4 INSULATION RESISTANCE 100 MAGE-OHMS MIN.
- 4.5 OPERATING TEMPERATURE: -30°C ~ 85°C
- 4.6 MATING FORCE: 5~20 N.
- 4.7 UNMATED FORCE: 8~20 N (INITIAL) , 6~20 N (AFTER TEST)
- 4.8 DURABILITY: 10,000 CYCLES.



**< ORDERING INFORMATION >**



△	New Version	2018,06,11
REV.	DESCRIPTION	DATE
DR. Shun	CHK. Ren	APP. Peter



**TOLERANCE (UNLESS SPECIFIED)**

0.0	±0.25
0.00	±0.15
0.000	±0.10
ANG.	±2°

TITLE: USB TYPE-C PLUG  
2.0 FUNCTION APPLICATION  
W/O PCB

DWG NO. USB196-N-1	SHEET 1 / 1
FILE PATH USB196-N-1_P1	REV. 1