

	New Version	2019,08,07
REV.	DESCRIPTION	DATE
DR. Shun	CHK. Ren	APP. Peter



**TOLERANCE**  
(UNLESS SPECIFIED)

0.0	$\pm 0.35$
0.00	$\pm 0.20$
0.000	$\pm 0.10$
ANG.	$\pm 2^\circ$



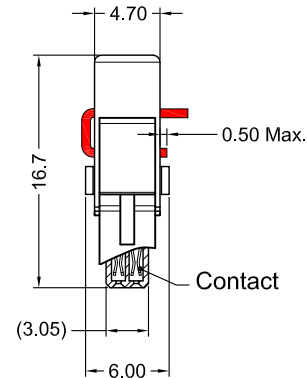
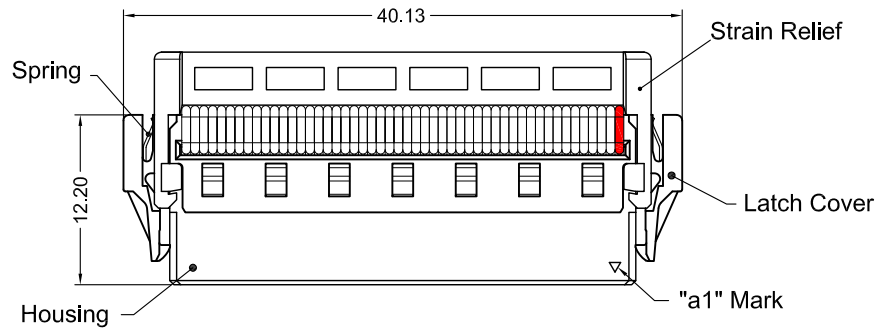
TITLE:  
1.27 Pitch IDC Female Cable Assembly  
With SR & Heat Shrinkable Tubing

DWG NO.  
CABSWC02-SR-HST-50\_C

FILE PATH  
SWC01\CABSWC02-SR-HST-50\_CA

SHEET  
1 / 2

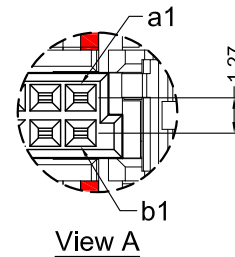
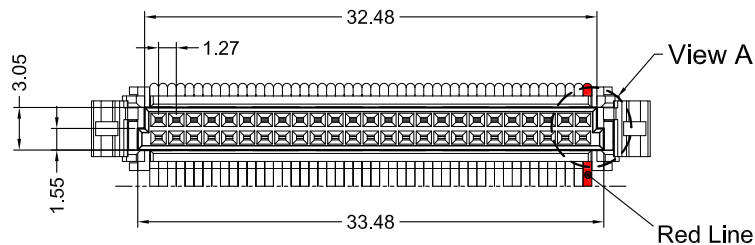
REV.  
A



**Specification**

**< Connector >**  
 Housing Material LCP, UL94V-0.  
 Latch Cover Material PA66, UL94V-0.  
 Strain Relief Material PA66, UL94V-0.  
 Contact Material Copper Alloy  
 Spring Material Stainless  
 Contact Plating Au over Ni

**< Cable >**  
 Size: 30 AWG  
 Outer Diameter 0.66±0.1 mm  
 Pitch 0.635 mm  
 Material PVC  
 Operating Temp. -20°C ~ +105°C (PVC)

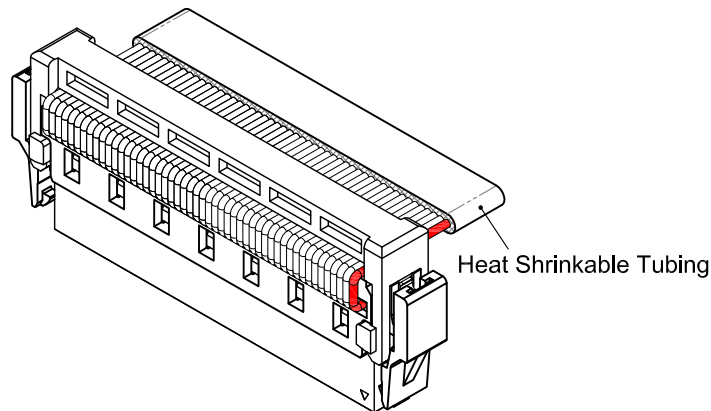


**< Heat Shrinkable Tubing >**

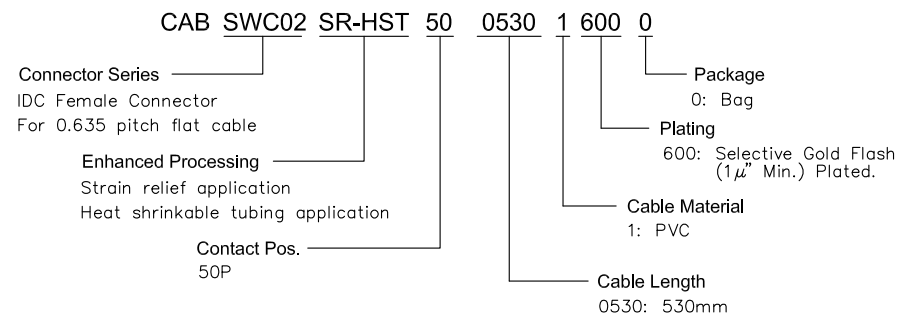
Dielectric Withstand 600 V  
 Operating Temp. -55°C ~ +125°C

**< Mechanical >**

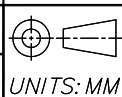
Mating Force ≤0.8N (Per-Pin)  
 Separating Force ≥0.1N (Per-Pin)  
 Mating Cycle 500



**< ORDERING INFORMATION >**



REV.	DESCRIPTION	DATE
DR. Shun	CHK. Ren	APP. Peter
△	New Version	2019,08,07



TOLERANCE (UNLESS SPECIFIED)  
 0.0 ±0.35  
 0.00 ±0.20  
 0.000 ±0.10  
 ANG. ±2°



TITLE:  
 1.27 Pitch IDC Female Cable Assembly  
 With SR & Heat Shrinkable Tubing

DWG NO. CABSWC02-SR-HST-50\_C  
 FILE PATH SWC01\CABSWC02-SR-HST-50\_CA

SHEET 2 / 2  
 REV. A