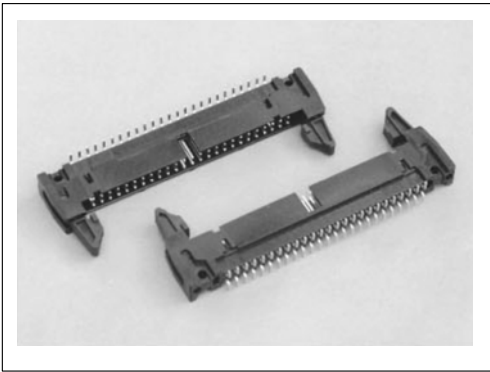




E09

2.54mm Pitch Ejector Header Dual Row Single Body Straight & Right Angle DIP & SMT TYPE



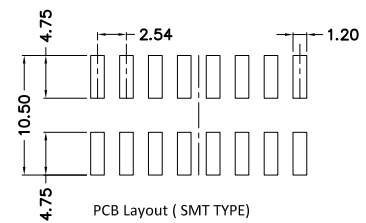
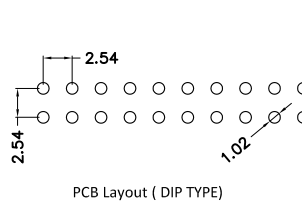
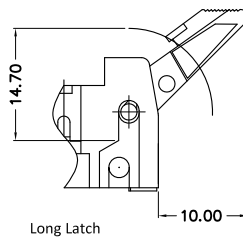
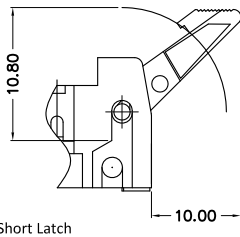
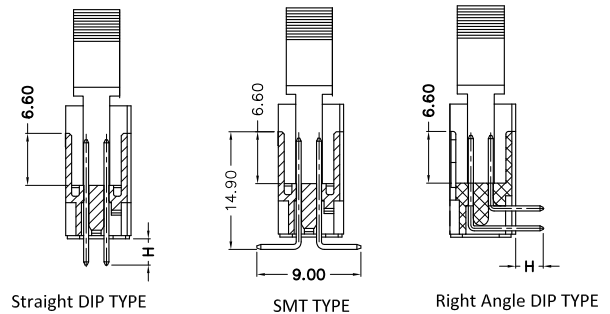
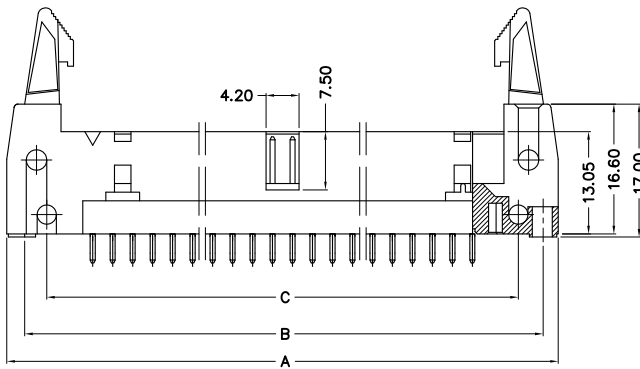
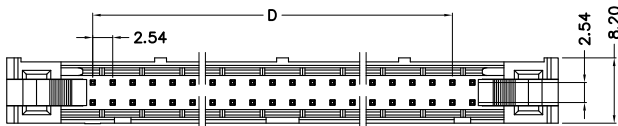
Specification:

Insulator Material:	High Temperature Thermoplastic, UL94V-0.
Contact Material:	Copper Alloy, 0.64x0.64mm.
Contact Plating:	Au or Sn over Nickel.
Current Rating:	3 AMP.
Insulator Resistance:	5000 Megohms Min.
Dielectric Withstanding:	500V AC for 1 Minute.
Operating Temperature:	-55°C ~ +105°C.
Max. Processing Temp.:	230°C for 30~60 seconds. 260°C for 10 seconds.

RoHS Compliant

DIM TABLE

No of Contact	A	B	C	D	No of Contact	A	B	C	D
10	32.00	27.94	21.84	10.17	26	52.32	48.26	42.16	30.49
14	37.08	33.02	26.92	15.25	34	62.48	58.42	52.32	40.65
16	39.62	35.56	29.46	17.79	40	70.10	66.04	59.94	48.27
20	44.70	40.64	34.54	22.87	50	82.80	78.74	72.64	60.97



Ordering Information: E09 - XX - XX - XXX - XX - XX

1 2 3 4 5 6

1 --> Series Number:	E09		
2 --> Contact Positions:	SEE DIM TABLE		
3 --> Connector Type:	10: Straight DIP Type,	11: Right Angle DIP Type,	20: SMT Type,
4 --> Plating option:	100: Full Gold Flash Plated,	500: Tin Plated,	600: Selective Gold Flash Plated
	610: 10U" selective Gold plated,	615: 15U" selective Gold plated	
	620: 20U" selective Gold plated,	630: 30U" selective Gold plated	
5 --> Latch option:	00: Without Latch,	01: With Short Latch,	02: With Long Latch,
6 --> Dime "H" option: (For DIP Type only)	10: H=3.30,	11: H=4.40,	