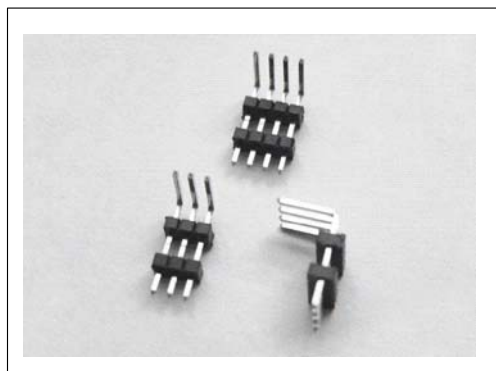




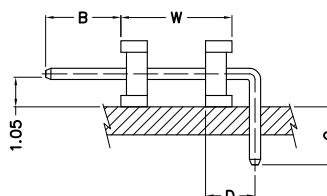
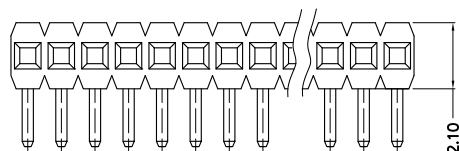
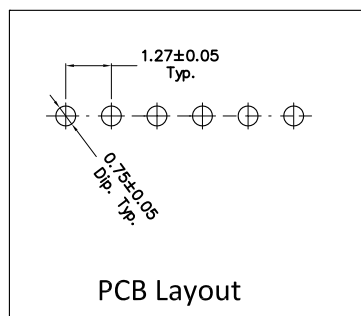
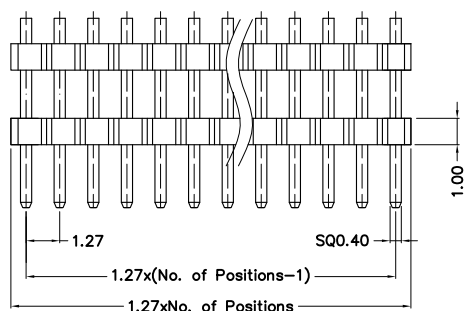
## 1.27mm Pitch Pin Header Single Row Dual Body Right Angle DIP TYPE



### Specification:

Insulator Material:	High Temperature Thermoplastic, UL94V-0.
Contact Material:	Copper Alloy, 0.40x0.40mm.
Contact Plating:	Au or Sn over Nickel.
Current Rating:	1 AMP.
Insulator Resistance:	500 Megohms Min.
Dielectric Withstanding:	500V AC for 1 Minute.
Operating Temperature:	-40°C ~ +105°C.
Max. Processing Temp.:	230°C for 30~60 seconds. 260°C for 10 seconds.

RoHS Compliant



### Ordering Information: E15 - XXX - XX - XXX

1            2            3            4

1 --> Series Number:	E15		
2 --> Contact Positions:	04-100PIN: 004-100		
3 --> Dimension option:	10: B=2.20, C=2.00, D=2.60, W=4.00	20: B=2.20, C=2.00, D=2.60, W=4.70	
	As request: B/C/D/W=XX/XX/XX/XX, For Eg: B=3.05, C=2.10, D=4.10, W=2.90, Code=3.05/2.10/4.10/2.90,		
4--> Plating option:	100: Full Gold Flash Plated	500: Tin Plated	600: Selective Gold Flash Plated
	610: 10U" selective Gold plated	615: 15U" selective Gold plated	
	620: 20U" selective Gold plated	630: 30U" selective Gold plated	