



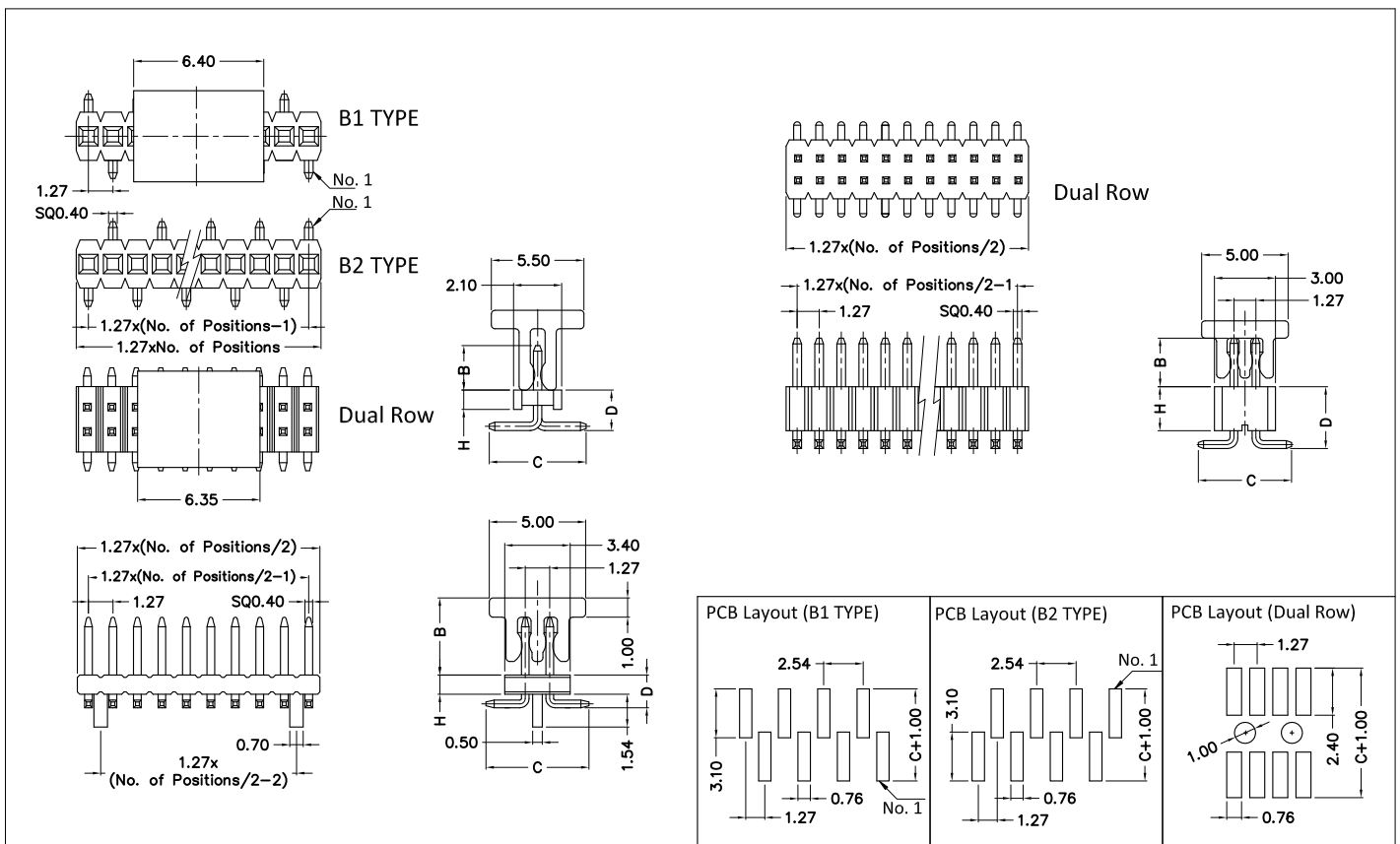
1.27mm Pitch Pin Header Single & Dual Row Single Body Vertical SMT TYPE (Dual Row: 1.27*1.27mm)



Specification:

Insulator Material:	High Temperature Thermoplastic, UL94V-0.
Contact Material:	Copper Alloy, 0.40x0.40mm.
Contact Plating:	Au or Sn over Nickel.
Current Rating:	1 AMP.
Insulator Resistance:	500 Megohms Min.
Dielectric Withstanding:	500V AC for 1 Minute.
Operating Temperature:	-40°C ~ +105°C.
Max. Processing Temp.:	230°C for 30~60 seconds. 260°C for 10 seconds.

RoHS Compliant



Ordering Information: E23 - XXX - XX - XX - XX - XXX - X - XX - XX

	1	2	3	4	5	6	7	8	9
1 --> Series Number:	E23								
2 --> Contact Positions:	Single Row: 002~050,			Dual Row: 004~100,					
3 --> Insulator option:	For Single Type: 10: H=1.00,			11: H=1.70,		12: H=2.50,			
	For Dual Type: 20: H=1.00,			21: H=1.60,		22: H=2.50,			
4 --> Layout option:	10: Single Row B1 TYPE,			11: Single Row B2 TYPE,		20: Dual Row			
5 --> Dimensions option:	10: B=3.00, C=5.50, D=1.70,			11: B=6.00, C=6.50, D=2.70,		As request: B/C/D=XX/XX/XX, For Eg: B=3.05, C=5.84, D=1.70, Code=3.05/5.84/1.70,			
6 --> Plating option:	100: Full Gold Flash Plated,			500: Tin Plated,			600: Selective Gold Flash Plated		
	610: 10U" selective Gold plated,			615: 15U" selective Gold plated					
	620: 20U" selective Gold plated,			630: 30U" selective Gold plated					
7 --> CAP option:	00: Without CAP,			01: With CAP,					
8 --> Packing option:	2: Tube,			3: T&R,					
9 --> Location Peg option: (For Dual Row only)	00: Without Peg,			01: With Peg,					