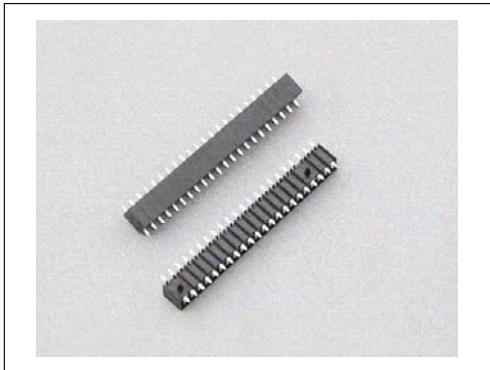




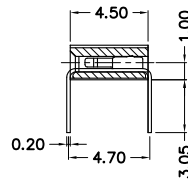
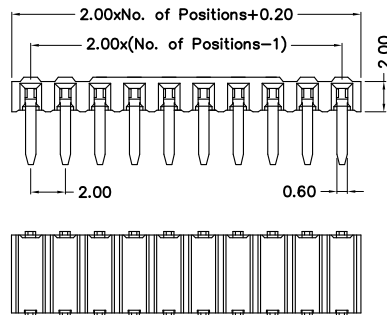
## 2.00mm Pitch Female Header Single Row Right Angle DIP & SMT TYPE



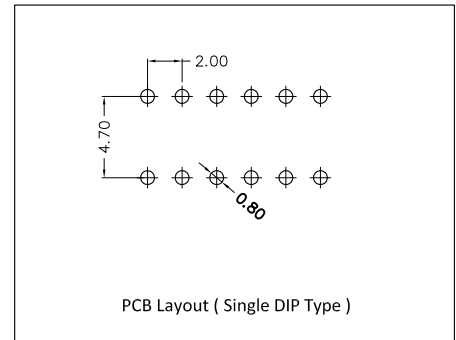
### Specification:

Insulator Material:	High Temperature Thermoplastic, UL94V-0.
Contact Material:	Copper Alloy.
Contact Plating:	Au or Sn over Nickel.
Current Rating:	1 AMP.
Contact Resistance:	20 Milliohms Max.
Insulator Resistance:	1000 Megohms Min.
Dielectric Withstanding:	500V AC for 1 Minute.
Operating Temperature:	-40°C ~ +105°C.
Max. Processing Temp.:	230°C for 30~60 seconds. 260°C for 10 seconds.

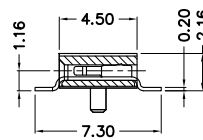
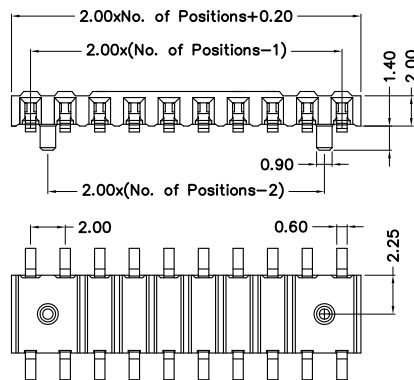
RoHS Compliant



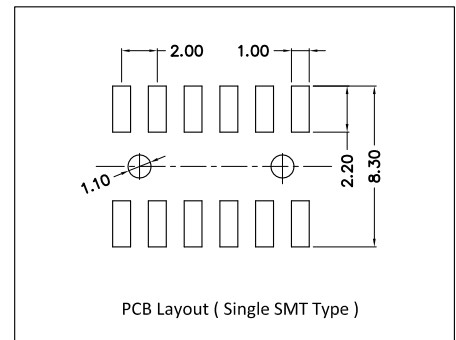
Single DIP TYPE



PCB Layout ( Single DIP Type )



Single SMT TYPE



PCB Layout ( Single SMT Type )

### Ordering Information: F19 - XXX - XX - XXX - X - XX

1 --> Series Number:	F19		
2 --> Contact Positions:	DIP Type: 002~030,	SMT Type: 002~020,	
3 --> Connector Type:	10: DIP Type,	20: SMT Type,	
4 --> Plating option:	100: Full Gold Flash Plated,	500: Tin Plated,	600: Selective Gold Flash Plated
	610: 10U" selective Gold plated,	615: 15U" selective Gold plated	
	620: 20U" selective Gold plated,	630: 30U" selective Gold plated	
5 --> Packing option:	2: Tube,	3: T&R,	
6 --> Location Peg option:	00: Without Peg,	01: With Peg,	