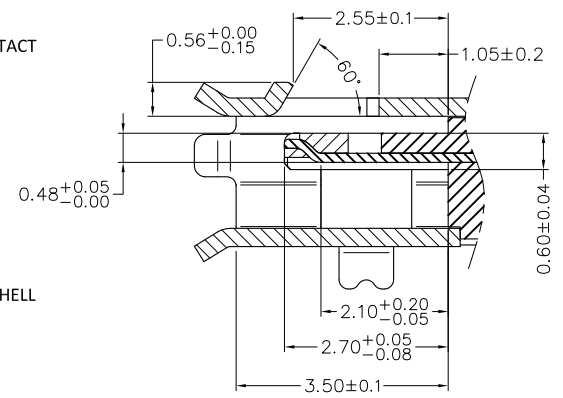
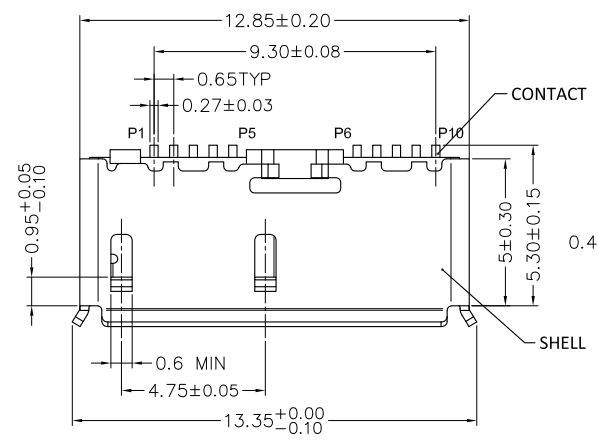


< ORDERING INFORMATION >

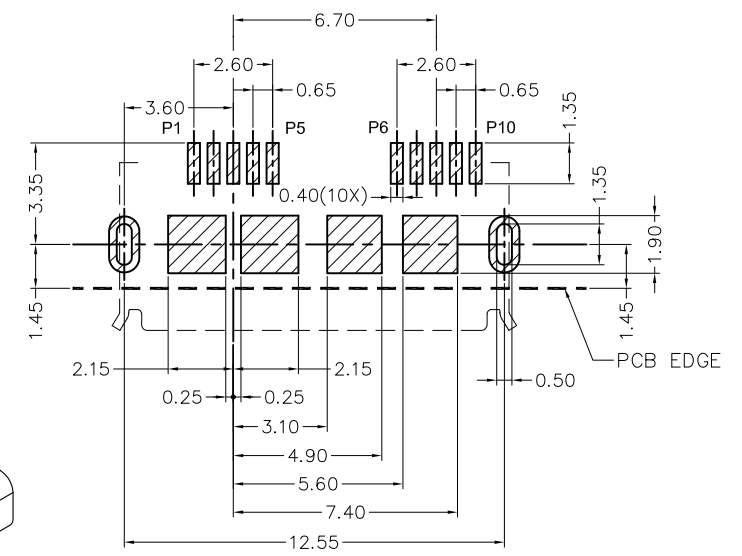
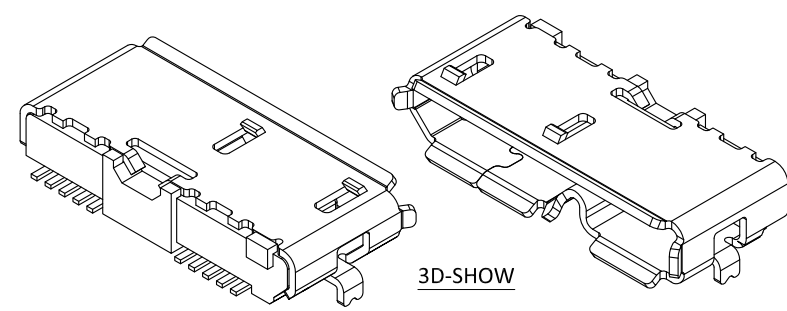
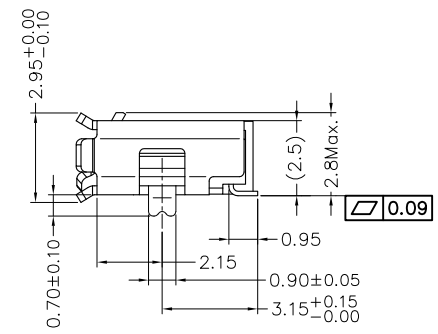
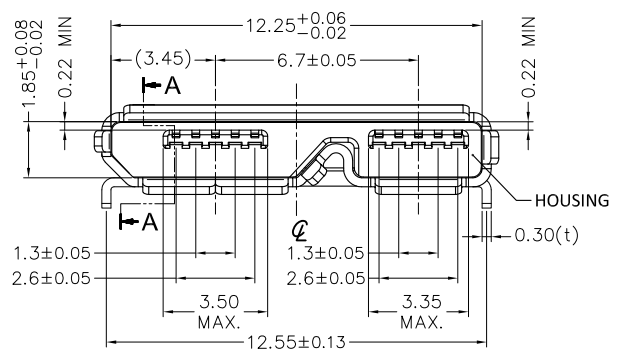
MCB44M 010 GXX 3

SERIES NO. _____ PACKAGE
 USB 3.0 MICRO-B RECEPTACLE 3: TAPE & REEL
 RIGHT ANGLE TYPE CONTACT PLATING
 CONTACT POSITION G9: 15μ" AU
 10P G23: 30μ" AU
 G24: 1μ" AU

NOTE:
 1. MATERIAL
 HOUSING: HIGH TEMP. THERMOPLASTIC
 CONTACT: BRASS
 SHELL: SUS
 2. FINISHING
 CONTACT: CONTACT AREA - GOLD PLATED
 (SEE ORDERING INFORMATION)
 SOLDER ARER - GOLDFLASH PLATED
 NICKEL(50μ" MIN.) UNDERPLATED OVER ALL.
 SHELL: NICKEL PLATED



SEC: A-A
 SCALE 2:1



RECOMMENDED PCB LAYOUT
 TOLERANCE: ±0.05

REV.	DESCRIPTION	DATE
DR. Shun	CHK. Karl	APP. Peter
△	Add Plating Number	2017,05,10
△	New Version	2013,08,28

UNITS: MM

TOLERANCE
 (UNLESS SPECIFIED)
 0.0 ±0.15
 0.00 ±0.10
 0.000 ±0.05
 ANG. ±2°



TITLE: USB 3.0 MICRO-B RECEPTACLE
 RIGHT ANGLE TYPE

DWG NO. MCB44M-GX_P	SERIES MCB	SHEET 1 / 1
FILE PATH U3\MCB\CB44M\MCB44M-GX_P2		REV. 2