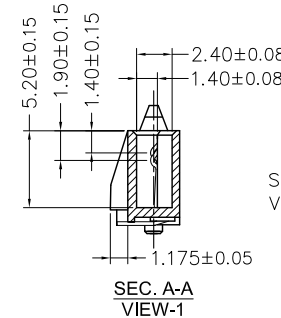
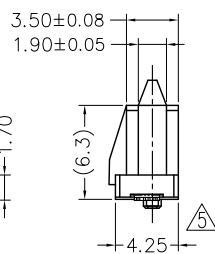
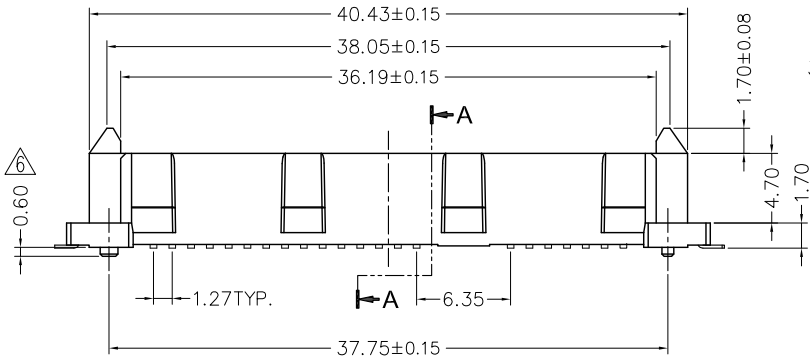


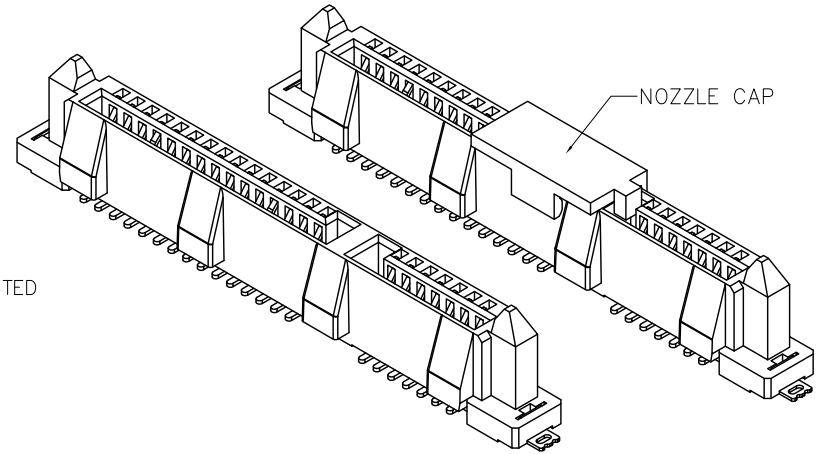
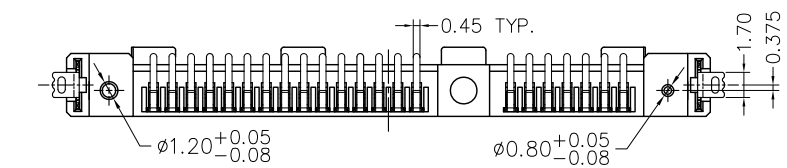
RECOMMENDED PCB LAYOUT  
UNLESS TOLERANCE: ±0.05



< ORDERING INFORMATION >

**SAC30SN C 022 G6F1 3**

SERIES NO. | PACKAGE  
SATA 22P RECEPTACLE | 3: TAPE REEL  
VER. SMT RIB TYPE | CONTACT PLATING  
CAP OPTION | SELECTED GOLD  
BLANK: W/O CAP | CONTACT POSITION  
C: WITH CAP | 22P



- NOTES:
- MATERIAL:  
HOUSING: HIGH TEMPERATURE THERMOPLASTIC UL94V-0 RATED (COLOR: BLACK)  
TERMIAL: COPPER ALLOY
  - FINISH  
TERMINAL: GOLD PLATING ON CONTACT AREA  
100u" MIN MATTE-TIN ON SOLDER AREA  
50u"MIN. NICKEL UNDERPLATED OVER ALL.

REV.	DESCRIPTION	DATE
6	Revised	2015,10,13
5	Revised	2013,07,12
4	Revised	2011,01,27
3	Revised	2010,12,07
2	Update	2010,11,26
1	New Version	2010,11,16

DR.	CHK.	APP.
Lilac	Morris	Peter Chang

UNITS: MM

TOLERANCE (UNLESS SPECIFIED)  
0.0 ±0.35  
0.00 ±0.20  
0.000 ±0.10  
ANG. ±2°



TITLE:  
**SATA 22P RECEPTACLE  
VER. SMT SMALL TYPE**

DWG NO.	SERIES	SHEET
SAC30SN_P	SAC30SN	1 / 1
FILE PATH	REV.	
SATA\SAC30SN\SAC30SN_P6	6	