

REV.	DESCRIPTION	DATE	DRAWN	CHECKED	APPROVED
C	Change Board Lock Length	OCT-13-08'	Denice	Deming	Peter
D	Change HSG	NOV-24-08'	Denice	Deming	Peter
E	REVISED	JUN-13-10'	Denice	Karl	Peter
F	Add Tape/Reel Packing	FEB-10-11'	Denice	Karl	Peter
G	Add Gold(1u") Plating	FEB-17-11'	Denice	Karl	Peter

ORDERING INFORMATION

SAR45 CS 22 G6F1 1

① ② ③ ④ ⑤

① PRODUCT SERIES

SATA 7+15P RECEPTACLE
5.6H R/A REVERSE SMT TYPE

② BOARD LOCK

CS: PCB=1.0mm(t)
WITH PCB SUPPORT CAP

③ NUMBER OF CONTACTS

22P

④ CONTACT PLATING

G6F1: GOLD(15u") PLATING ON CONTACT AREA
MATTE TIN(100u") PLATING ON SOLDER AREA
NICKEL(50u") UNDERPLATED OVER ALL.
(LEAD FREE UNDER 90 PPM)

G11F1: GOLD(1u") PLATING ON CONTACT AREA
MATTE TIN(100u") PLATING ON SOLDER AREA
NICKEL(50u") UNDERPLATED OVER ALL.
(LEAD FREE UNDER 90 PPM)

⑤ PACKING METHOD

1: TRAY
3: TAPE/REEL

PERFORMANCE CHARACTERISTICS

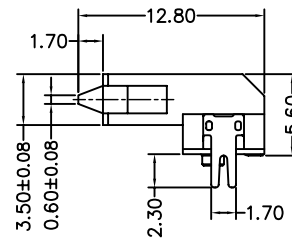
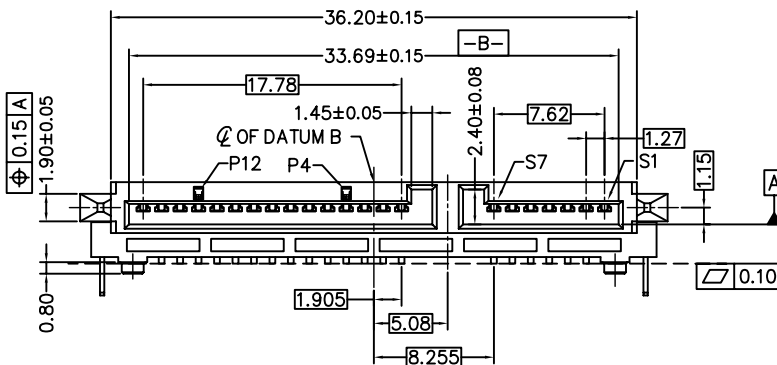
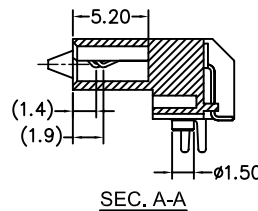
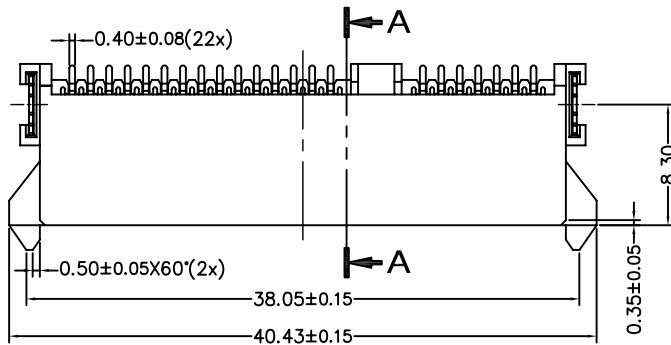
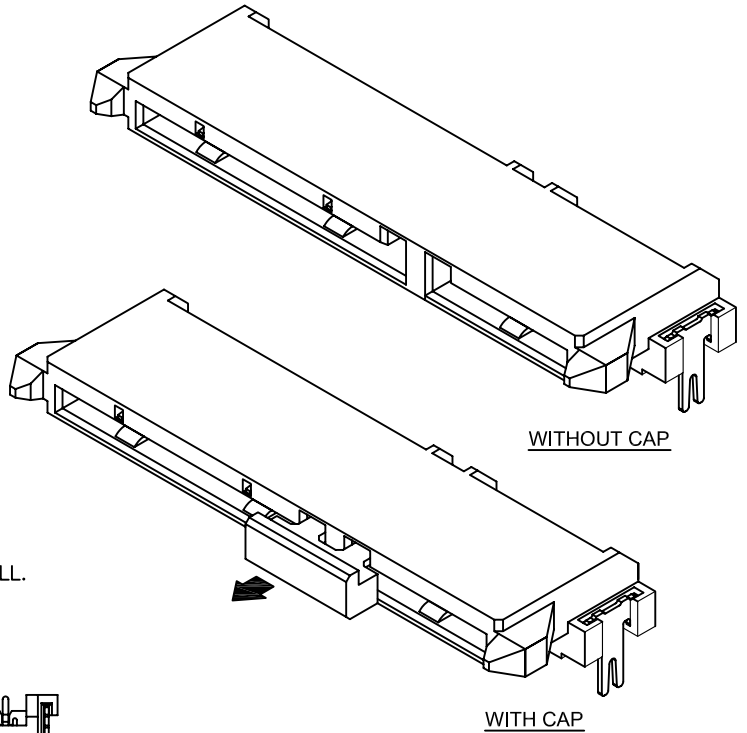
OPERATING VOLTAGE: 15V DC MAX.
CURRENT RATING: 1.5 A MAX.
CONTACT RESISTANCE: 30 mΩ MAX.
INSULATION RESISTANCE: 1000 MΩ MIN.
DIELECTRIC WITHSTANDING VOLTAGE: 500V AC/MINUTE
OPERATING TEMPERATURE: -40°C TO +85°C

MATERIALS

HOUSING: LCP+30% G.F. UL94V-0 RATED.
(COLOR: BLACK)
CONTACT: PHOSPHOR BRONZE
BOARD LOCK: BRASS

PLATING

CONTACT: SEE ORDERING INFORMATION
BOARD LOCK: MATTE TIN(100u" MIN.)
NICKEL(50u" MIN) UNDERPLATED OVER ALL.



(POWER MATING PORT P4 & P12 FOR GROUNDING)



TOLERANCE (UNLESS SPECIFIED)

0.0	±0.25
0.00	±0.15
0.000	±0.10

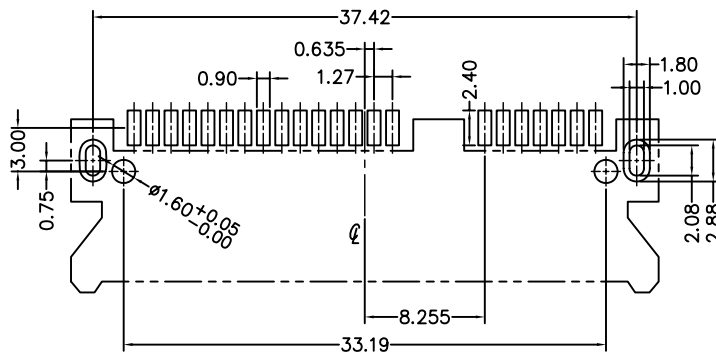
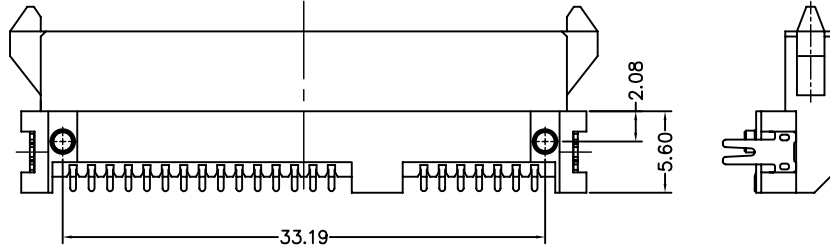


TITLE: SATA 7+15 RECEPTACLE
5.6H R/A REVERSE SMT TYPE

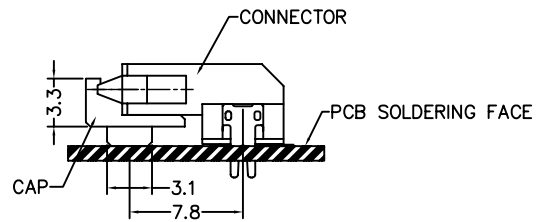
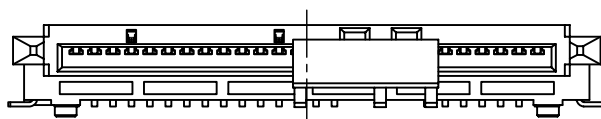
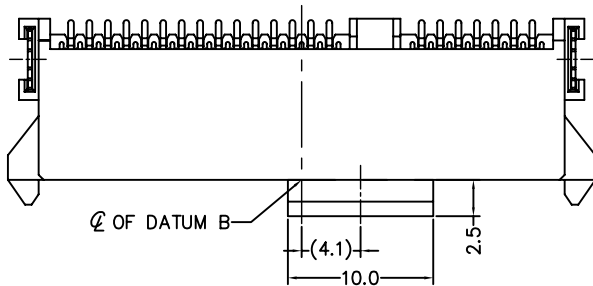
DWG NO. SAR45CS_C	SERIES SATA	SHEET 1 / 2
FILE PATH SATA\SAR45CS\SAR45CS_CG		REV. G

CUSTOMER DRAWING

REV.	DESCRIPTION	DATE	DRAWN	CHECKED	APPROVED
C	Change Board Lock Length	OCT-13-08'	Denice	Deming	Peter
D	Change HSG	NOV-24-08'	Denice	Deming	Peter
E	REVISED	JUN-13-10'	Denice	Karl	Peter
F	Add Tape/Reel Packing	FEB-10-11'	Denice	Karl	Peter
G	Add Gold(1u") Plating	FEB-17-11'	Denice	Karl	Peter



RECOMENDED PCB LAYOUT(T=1.0)
PCB TOLERANCE:±0.05



TOLERANCE (UNLESS SPECIFIED)
0.0 ±0.25
0.00 ±0.15
0.000 ±0.10

UNITS: MM



TITLE: SATA 7+15 RECEPTACLE
5,6H R/A REVERSE SMT TYPE
(BOARD LOCK SMT TYPE)

DWG NO.	SERIES	SHEET
SAR45CS_C	SATA	2 / 2
FILE PATH	REV.	
SATA\SAR45CS\SAR45CS_CG	G	